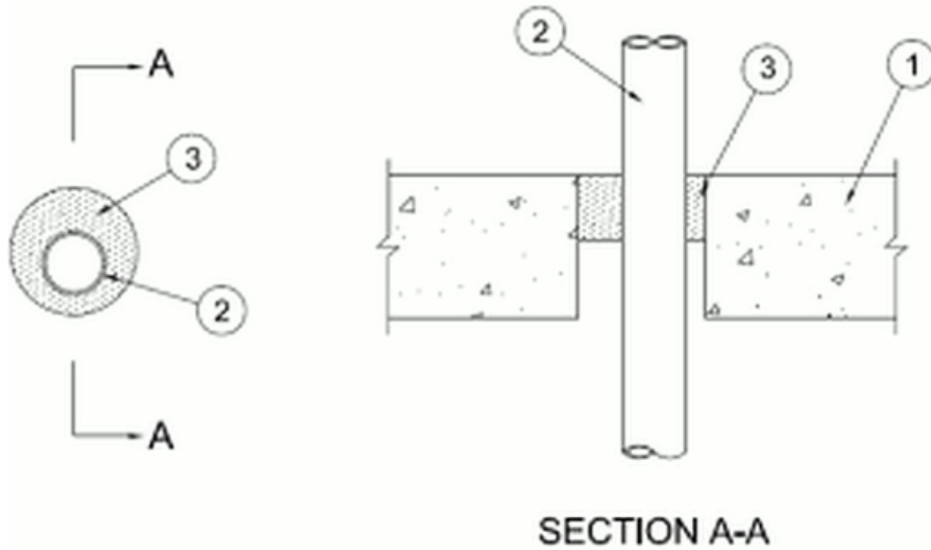


ANSI/UL1479 (ASTM E814)	CAN/ULC S115
F Ratings —2 Hr	F Ratings —2 Hr
T Rating — 0 Hr	FT Rating — 0 Hr
	FH Ratings —2 Hr
	FTH Rating — 0 Hr



System tested with a pressure differential of 50 Pa between the exposed and the unexposed surfaces with the higher pressure on the exposed side.

1. Floor Assembly — Min 4-1/2 in. (114 mm) thick reinforced lightweight or normal weight (100-150 pcf or 1600-2400 kg/m³) concrete. Diam of opening shall be 2 in. (51 mm) larger than the nom diam of penetrant.

2. Nonmetallic Pipes — Nom 2 in. (51 mm) diam (or smaller) nonmetallic pipe for use in closed (process or supply) or vented (drain, waste or vent) piping systems. Pipe to be installed concentrically or eccentrically within the firestop system. The annular space between the pipe and periphery of opening shall be min 1/2 in. (13 mm) to max 1 in. Pipe to be rigidly supported on both sides of floor or wall assembly. The following types and sizes of nonmetallic pipe may be used:

A. **Polypropylene (PP) Pipe** — Nom 2 in. (51 mm) diam (or smaller) Aquatherm Fusiolen Greenpipe SDR 7.4 PP pipe.

B. **Polypropylene (PP-RCT) Pipe** — Nom 2 in. (51 mm) diam (or smaller) Niron CoolPro or Niron Clima SDR 7.4 PP-RCT pipe.

C. **Polypropylene (PP) Pipe** — Nom 2 in. (51 mm) diam (or smaller) Aquatherm Fusiolen Greenpipe SDR 11 PP pipe.

D. **Polypropylene (PP-RCT) Pipe** — Nom 2 in. (51 mm) diam (or smaller) Niron CoolPro or Niron Clima SDR 11 PP-RCT

3. Fill, Void or Cavity Material* — Sealant — Min 2 in. (51 mm) thickness of sealant applied within the annulus, flush with top surface of floor or both surfaces of wall.

RECTORSEAL — [Metacaulk 1000](#), [Metacaulk 350i](#), Biostop 500+ or FlameSafe 1900

* Indicates such products shall bear the UL or cUL Certification Mark for jurisdictions employing the UL or cUL Certification (such as Canada), respectively.