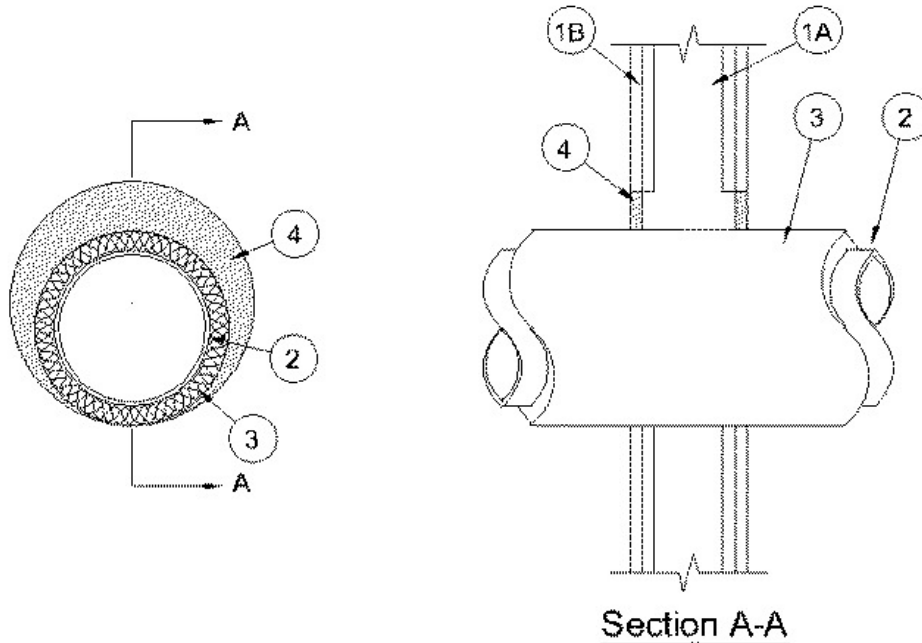


**F Rating — 1 or 2 Hr (See Item 1)**  
**T Rating — 1 or 1-1/2 Hr (See Item 1)**



**1. Wall Assembly** — The 1 or 2 hr fire-rated gypsum board/stud wall assembly shall be constructed of the materials and in the manner specified in the individual U300, U400 or V400 Series Wall or Partition Designs in the UL Fire Resistance Directory and shall include the following construction features:

**A. Studs** — Wall framing may consist of either wood studs or steel channel studs. Wood studs to consist of nom 2 by 4 in. (51 by 102 mm) lumber spaced 16 in. (406 mm) OC. Steel channel studs to be min 3-1/2 in. (89 mm) wide and spaced max 24 in. (610 mm) OC.

**B. Gypsum Board\*** — Nom 5/8 in. (16 mm) thick, 4 ft (1.2 m) wide with square or tapered edges. The gypsum board type, number of layers, fastener type and sheet orientation shall be as specified in the individual Wall and Partition Design. Max diam of opening is 12-1/2 in. (318 mm).

**The hourly F Rating of the firestop system is equal to the hourly fire rating of the wall assembly. The T Rating is 1 hr and 1-1/4 hr for 1 and 2 hr rated wall assemblies, respectively.**

**2. Through Penetrant** — One metallic pipe to be installed either concentrically or eccentrically within the firestop system. Pipe to be rigidly supported on both sides of wall assembly. The following types and sizes of metallic pipes may be used:

**A. Steel Pipe** — Nom 8 in. (203 mm) diam (or smaller) Schedule 10 (or heavier) steel pipe.

**B. Iron Pipe** — Nom 8 in. (203 mm) diam (or smaller) cast or ductile iron pipe.

**3. Pipe Covering\*** — Nom 1 in. (25 mm) thick hollow cylindrical heavy density (min 3.5 pcf or 56 kg/m<sup>3</sup>) glass fiber units jacketed on the outside with an all service jacket. Longitudinal joints sealed with metal fasteners or factory-applied self-sealing lap tape. Transverse joints secured with metal fasteners or with butt tape supplied with the product. The annular space shall be min 0 in. (point contact) to max 1-7/8 in (48 mm).

See **Pipe and Equipment Covering — Materials (BRGU)** category in the Building Materials Directory for names of manufacturers. Any pipe covering material meeting the above specifications and bearing the UL Classification Marking with a Flame Spread Index of 25 or less and a Smoke Developed Index of 50 or less may be used.

**4. Fill, Void or Cavity Materials\* - Caulk** — Min 5/8 in. (16 mm) thickness of caulk applied within annular space flush with each surface of wall. A min 1/4 in. (6 mm) diam bead of caulk shall be applied to the pipe insulation/gypsum board interface at the point contact location on both sides of wall.

**RECTORSEAL — MC 150+**

\*,+ Indicates such products shall bear the UL or cUL Certification Mark for jurisdictions employing the UL or cUL Certification (such as Canada), respectively.