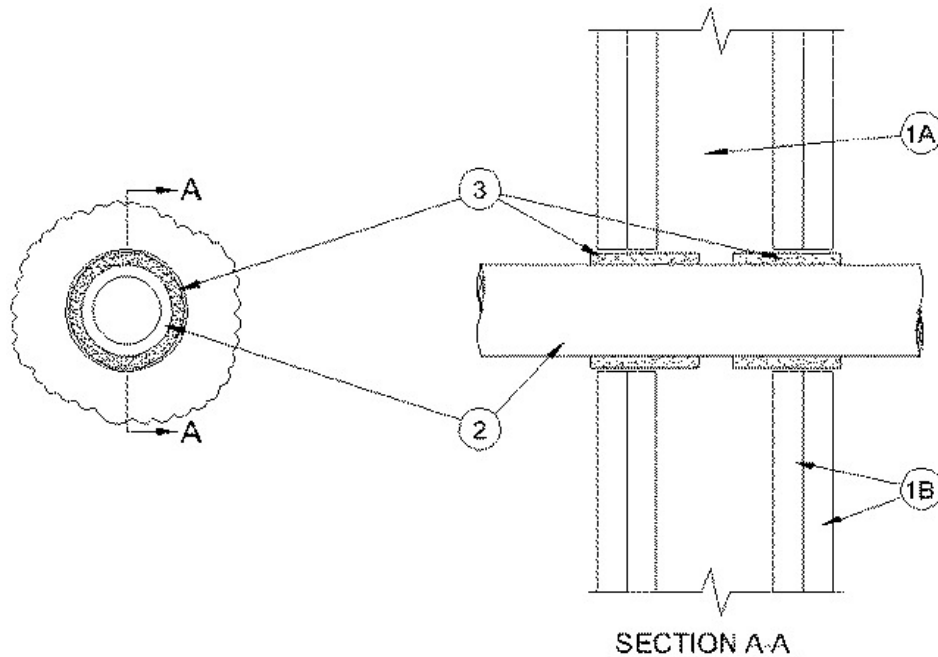


F Rating — 2 h
 FT Rating — 0 h
 FH Rating — 2 h
 FTH Rating — 0 h

System not tested with a pressure differential of 50 Pa between the exposed and unexposed side of the assembly



1. Wall Assembly — The 2 h fire-rated gypsum board/stud wall assembly shall be constructed of the materials and in the manner specified in the individual U300 or U400 Series Wall and Partition Designs in the ULC Fire Resistance Directory and shall include the following construction features:

A. **Studs** — Wall framing shall consist of either wood or steel channel studs. Wood studs to consist of nom 51 by 102 mm (2 by 4 in.) lumber spaced 400 mm (15.7 in. OC). Steel studs to be min 89 mm (3-1/2 in.) deep and spaced max 610 mm (24 in.) OC.

• B. **Gypsum Board** — Min 16 mm (5/8 in.) thick, 1.22 m (4 ft) wide with square or tapered edges. The gypsum board type, thickness, number of layers and orientation shall be as specified in the individual U400 Wall and Partition Design. Max diam of opening is 76 mm (3 in.)

2. Through Penetrants — One nonmetallic pipe to be centered within the firestop system. A nom annular space of 8 mm (5/16 in.) is required within the firestop system. Pipe to be rigidly supported on both sides of wall assembly. The following types and sizes of nonmetallic pipes may be used:

A. **Acrylonitrile Butadiene Styrene (ABS) Pipe** — Nom 51 mm (2 in.) diam (or smaller) Schedule 40 cellular or solid core ABS pipe for use in vented (drain, waste or vent) piping systems.

3. Firestop System — The firestop system shall consist of the following:

• A. **Fill, Void or Cavity Material— Wrap Strip** — One layer of nom 6 mm (1/4 in.) thick by 51 mm (2 in.) wide intumescent wrap strip tightly wrapped around the outer circumference of the pipe and slid into the annular space on each side of wall such that wrap strip extends 3 mm (1/8 in.) beyond both surfaces of wall. Wrap strip secured with tape, wire or tie wire.

RECTORSEAL — [Metacaulk Wrap Strip](#)

*,+ Indicates such products shall bear the UL or cUL Certification Mark for jurisdictions employing the UL or cUL Certification (such as Canada), respectively.

Reprinted from the Online Certifications Directory with permission from UL. ©UL LLC