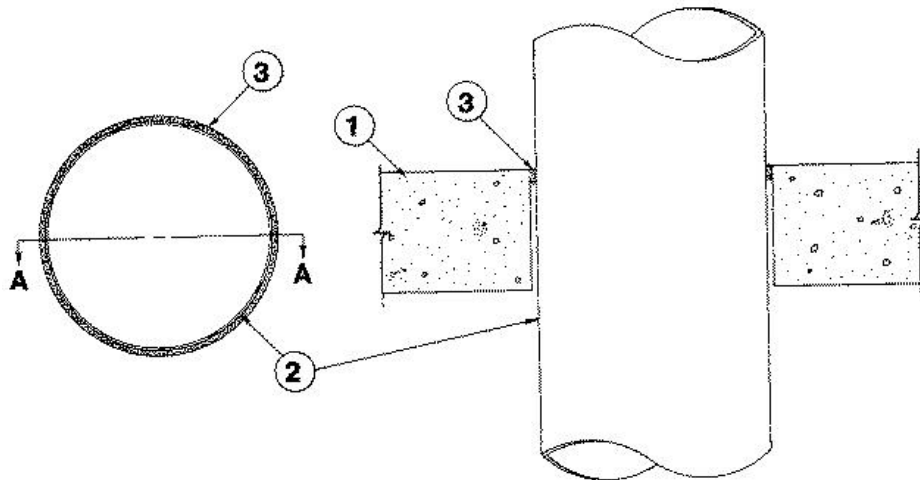


F Rating — 2 Hr
T Rating — 1/4 Hr



SECTION A-A

- 1. Floor or Wall Assembly** — Min 4-1/2 in. thick reinforced lightweight or normal weight (100-150 pcf) concrete. Wall may also be constructed of any UL Classified **Concrete Blocks***. Max diam of opening is 9 in. See **Concrete Blocks** (CAZT) category in the Fire Resistance Directory for names of manufacturers.
- 2. Steel Pipe** — Nom 8 in. diam (or smaller) Schedule 10 (or heavier) steel pipe. One pipe to be centered within the firestop system. A nom annular space of 3/16 in. is required within the firestop system. Pipe to be rigidly supported on both sides of floor or wall assembly.
- 3. Fill, Void or Cavity Material* — Caulk** — Caulk fill material to be forced within the annulus to the max extent possible, flush with top surface of floor or with both surfaces of wall.
RECTORSEAL — [Metacaulk 835+](#)

*,+ Indicates such products shall bear the UL or cUL Certification Mark for jurisdictions employing the UL or cUL Certification (such as Canada), respectively.

Reprinted from the Online Certifications Directory with permission from UL. ©UL LLC