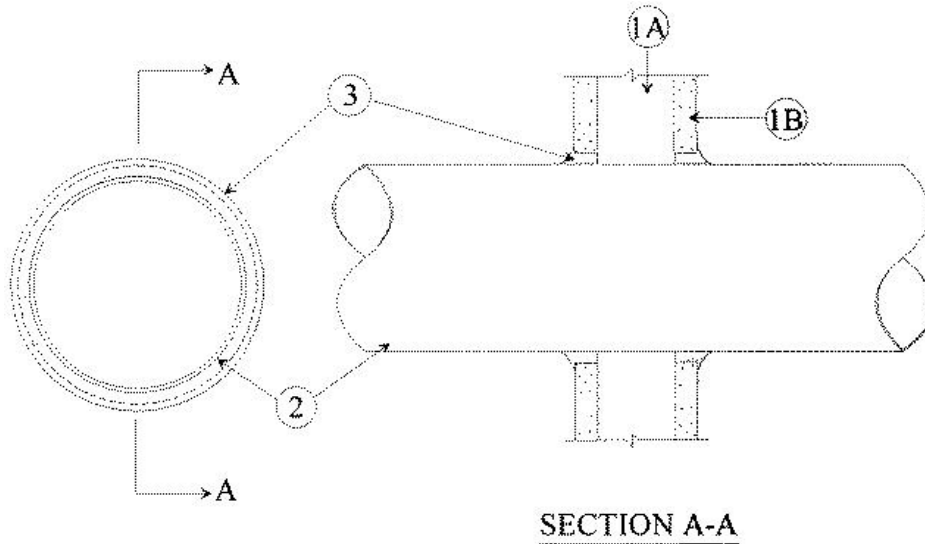


F Rating — 1 Hr  
T Rating — 0 Hr



**1. Wall Assembly** — The fire-rated gypsum wallboard/stud wall assembly shall be constructed of the materials and in the manner specified in the individual U300 or U400 Series Wall and Partition Designs in the UL Fire Resistance Directory and shall include the following construction features:

A. **Studs** — Wall framing may consist of either wood studs or steel channel studs. Wood studs to consist of nom 2 by 4 in. lumber spaced 16 in. OC. Steel studs to be min 2-1/2 in. wide and spaced max 24 in. OC.

B. **Gypsum Board\*** — One layer of nom 5/8 in. thick gypsum wallboard, as specified in the individual Wall and Partition Design. Max diam of opening is 13-1/4 in.

**2. Through Penetrants** — One metallic pipe, conduit or tubing to be installed either concentrically or eccentrically within the firestop system. Pipe, conduit or tubing to be rigidly supported on both sides of wall assembly. The annular space between the through-penetrant and the periphery of the opening shall be min 0 in. to max 1/4 in. The following types and sizes of metallic pipes, conduits or tubing may be used:

A. **Steel Pipe** — Nom 12 in. diam (or smaller) Schedule 10 (or heavier) steel pipe.

B. **Iron Pipe** — Nom 12 in. diam (or smaller) cast or ductile iron pipe.

C. **Conduit** — Nom 6 in. diam (or smaller) steel electrical metallic tubing or steel conduit.

D. **Copper Tubing** — Nom 6 in. diam (or smaller) Type L (or heavier) copper tubing.

E. **Copper Pipe** — Nom 6 in. diam (or smaller) Regular (or heavier) copper pipe.

**3. Fill, Void or Cavity Material\* — Caulk** — Fill material to be forced into the annulus to maximum extent possible. Additional fill material to be installed such that a min 1/2 in. crown is formed around the penetrating item and lapping 1/4 in. beyond the periphery of the opening.

**RECTORSEAL** — [Metacaulk 950](#)

\*,+ Indicates such products shall bear the UL or cUL Certification Mark for jurisdictions employing the UL or cUL Certification (such as Canada), respectively.

Reprinted from the Online Certifications Directory with permission from UL. ©UL LLC