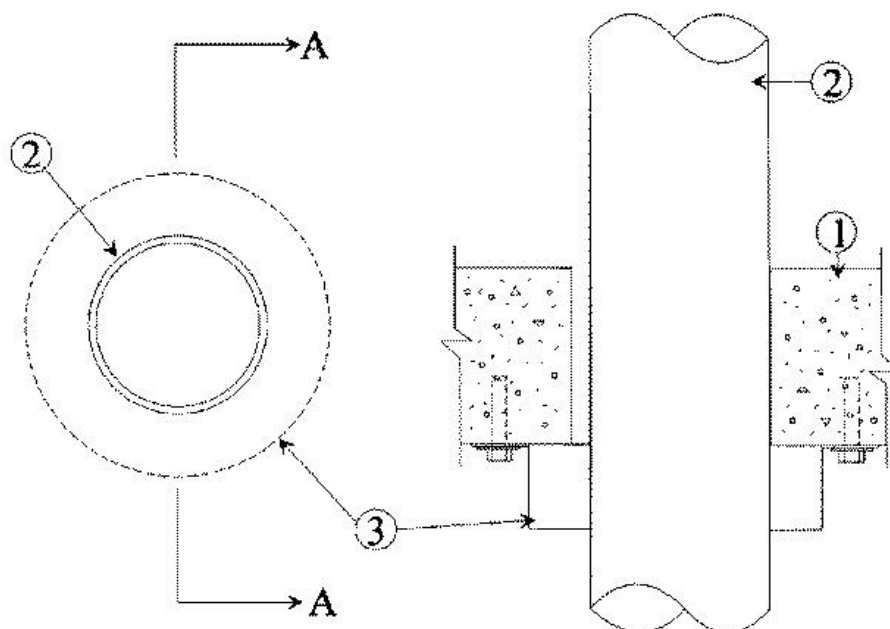


F Rating — 3 Hr  
 T Rating — 3 Hr  
 W Rating - Class 1 (See Item 4)



## SECTION A-A

1. **Floor or Wall Assembly** — Min 4-1/2 in. (114 mm) thick reinforced lightweight or normal weight (100-150 pcf or 1600-2400 kg/m<sup>3</sup>) concrete. Wall may also be constructed of any UL Classified **Concrete Blocks**\*. Max diam of opening is 3 in. (76 mm). See **Concrete Blocks** (CAZT) category in the Fire Resistance Directory for names of manufacturers.

2. **Through Penetrants** — One nonmetallic pipe to be installed either concentrically or eccentrically within the firestop system. The annular space shall be min point contact 0 in. to max 5/8 in. (16 mm) Pipe to be rigidly supported on both sides of floor or wall assembly. The following types and sizes of nonmetallic pipes may be used:

A. **Polyvinyl Chloride (PVC) Pipe** — Nom 2 in. (51 mm) diam Schedule 40 cellular or solid core PVC pipe for use in closed (process or supply) or vented (drain, waste or vent) piping system. The annular space shall be min 0 in. to max 5/8 in.

B. **Chlorinated Polyvinyl Chloride (CPVC) Pipe** — Nom 4 in. (102 mm) diam (or smaller) SDR 17 or Schedule 40 CPVC pipe for use in closed (process or supply) or vented (drain, waste or vent) piping systems. When pipe collars are provided on both sides of a wall, SDR 17 or Schedule 40 CPVC pipe may also be used in vented (drain, waste or vent) piping systems.

C. **Acrylonitrile Butadiene Styrene (ABS) Pipe** — Nom 2 in. (51 mm) diam Schedule 40 cellular or solid core ABS pipe for use in closed (process or supply) or vented (drain, waste or vent) piping systems.

3. **Firestop Device\*** — Galv steel collar lined with an intumescent material sized to fit specific diam of the through penetrant. Device to be installed around the through penetrant in accordance with accompanying installation instructions. Device incorporates anchor tabs for securement to underside of the concrete floor by means of 1/4 in. (6 mm) diam by 1-1/4 in. (32 mm) long steel expansion bolts in conjunction with min 3/4 in. (19 mm) diam washers. Device secured at each tab. In walls, collars are installed on each side of wall.

**RECTORSEAL** — [Metacaulk Pipe Collar](#)

4. **Fill, Void or Cavity Materials\* - Caulk** — (Optional — Not shown) — Min 1/4 in. (6 mm) thickness of fill material applied within the annulus, flush with the bottom surface of floor or with both surfaces of wall.

**RECTORSEAL** — [Metacaulk 1000](#) or Metacaulk 1200

W-Rating only applies when [Metacaulk 1200](#) is used.

\*,+ Indicates such products shall bear the UL or cUL Certification Mark for jurisdictions employing the UL or cUL Certification (such as Canada), respectively.



---

Reprinted from the Online Certifications Directory with permission from UL. ©UL LLC