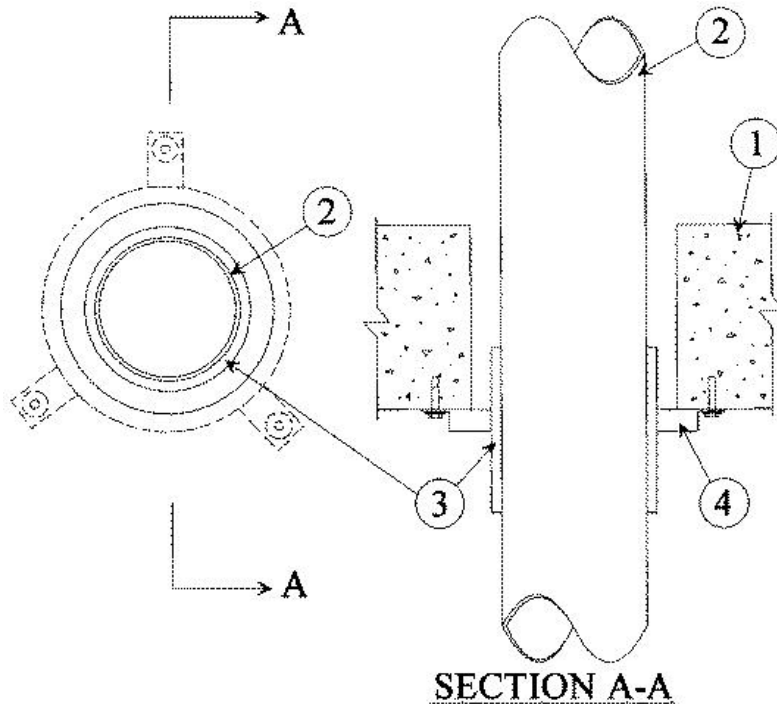


F Rating — 3 Hr
 T Rating — 3 Hr
 W Rating - Class 1 (See Item 5)



1. **Floor or Wall Assembly** — Min 4-1/2 in. (114 mm) thick reinforced lightweight or normal weight (100-150 pcf or 1600-2400 kg/m³) concrete. Wall may also be constructed of any UL Classified **Concrete Blocks***. Max diam of opening is 4-1/2 in. (114 mm).

See **Concrete Blocks** (CAZT) category in the Fire Resistance Directory for names of manufacturers.

2. **Nonmetallic Pipe** — Nom 3 in. (76 mm) diam (or smaller) Schedule 40 polyvinyl chloride (PVC) pipe for use in closed (process or supply) or vented (drain, waste or vent) piping systems. One pipe to be centered within the firestop system. A nom annular space of 1/2 in. (13 mm) is required within the firestop system. Pipe to be rigidly supported on both sides of floor or wall assembly.

3. **Coupler** — Nom 3 in. (76 mm) diam (or smaller) Schedule 40 polyvinyl chloride (PVC) coupler installed at bottom surface of floor or either surface of wall. Coupler to be installed such that it coincides with the firestop device (Item 4).

4. **Firestop Device*** — Galv steel collar lined with an intumescent material sized to fit specific diam of the through penetrant or coupler. Device to be installed around through penetrant or coupler in accordance with accompanying installation instructions. In floors, one device shall be installed below the floor. The nom size of device shall be 1 in. (25 mm) larger than nom diam of pipe. In walls, one device is to be installed on each side of wall. One side of wall containing the coupler, nom size of device shall be 1 in. (25 mm) larger than nom diam of pipe. When device is used over coupler, a 1 in. (25 mm) wide wrap strip shall be inserted into the collar prior to its securement to the floor or wall. Device incorporates three anchor tabs for securement to concrete floor or wall by means of 1/4 in. (6 mm) diam by 1-1/4 in. (32 mm) long steel expansion bolts in conjunction with min 3/4 in. (19 mm) diam washers.

RECTORSEAL — Biostop Pipe Collar or FlameSafe Pipe Collar

5. **Fill, Void or Cavity Materials* - Caulk** — (Optional — Not Shown) Min 1/4 in. (6 mm) thickness of fill material applied within the annulus, flush with the top surface of floor or with both surfaces of wall.

RECTORSEAL — [Metacaulk 1200](#), Biostop 750 or FlameSafe FS3000

Note — W-Rating only applies when Biostop 750 is used

*,+ Indicates such products shall bear the UL or cUL Certification Mark for jurisdictions employing the UL or cUL Certification (such as Canada), respectively.

Reprinted from the Online Certifications Directory with permission from UL. ©UL LLC