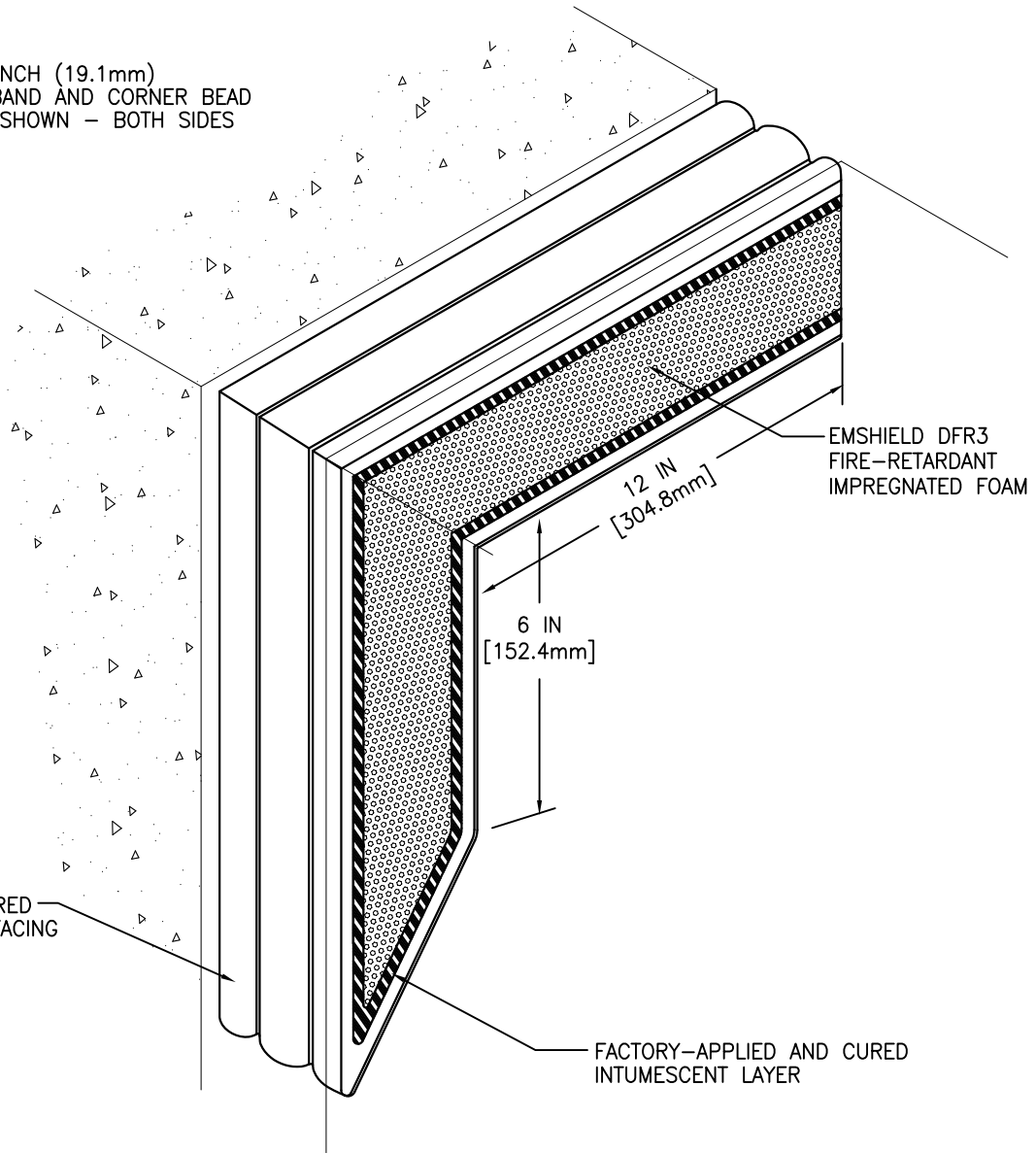


FIELD APPLIED MIN. 3/4-INCH (19.1mm)
DEEP INJECTED SEALANT BAND AND CORNER BEAD
ALONG SIDE OF DFR3 AS SHOWN - BOTH SIDES



MOVEMENT: ±25% (TOTAL 50%) OF NOMINAL MATERIAL SIZE

EMSEAL'S EMSEAL DFR3 HAS BEEN TESTED IN ACCORDANCE WITH UL 2079 IN THE CONFIGURATION DEPICTED IN UL SYSTEM # FF-D-1090. USE OF THIS MATERIAL IN DECK ASSEMBLY CONFIGURATIONS OTHER THAN DEPICTED IN UL SYSTEM # FF-D-1090 WILL NOT ENCUMBER OR LOWER THE RESISTANCE OF THE DECK BUT IS DONE SO AT THE DESIGNERS' DISCRETION AND RESPONSIBILITY FOR DESIGN OF A FIRE RATED DECK ASSEMBLY THAT MEETS APPLICABLE STANDARDS FOR THE PROJECT.

EMSEAL JOINT SYSTEMS LTD.

EMSHIELD DFR3 VERTICAL PLANE UNIVERSAL-90 W/45° TERMINATION

THIS DOCUMENT CONTAINS INFORMATION OF A CONFIDENTIAL NATURE AND IS PROPRIETARY TO EMSEAL JOINT SYSTEMS LTD. ANY UNAUTHORIZED USE WILL BE PROSECUTED. THIS DRAWING IS PROTECTED BY COPYRIGHT, THE RIGHT TO REPRODUCE IN ANY FORM BEING THE EXCLUSIVE RIGHT OF EMSEAL JOINT SYSTEMS LTD. ANY UNAUTHORIZED REPRODUCTION WHETHER IN TWO OR THREE DIMENSIONS WILL BE PROSECUTED. © 2014 EMSEAL JOINT SYSTEMS LTD.

DRAWN BY: JNM	DATE: 2014/02/06	SCALE: N.T.S.	SHEET No: 1 OF 1
------------------	---------------------	------------------	---------------------

PART NUMBER:
DFR3_DD_CONC_TERM_VTRAN_U90_DOWNTURN_45_DEG_MITER_TERM