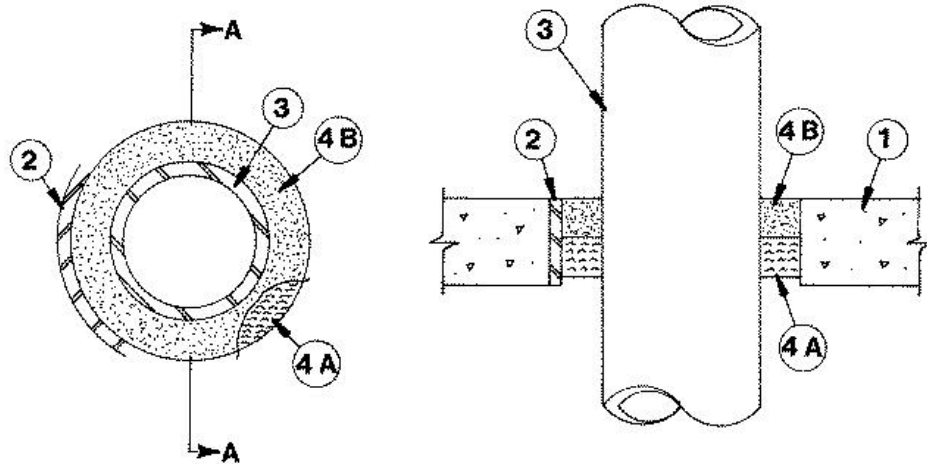


ANSI/UL1479 (ASTM E814)	CAN/ULC S115
F Rating — 2 Hr	F Rating — 2 Hr
T Rating — 0 Hr	FT Rating — 0 Hr
	FH Rating — 2 Hr
	FTH Rating — 0 Hr



**SECTION A-A**

**1. Floor or Wall Assembly** — Min 4-1/2 in. (114 mm) thick reinforced lightweight or normal weight (100-150 pcf or 1600-2400 kg/m<sup>3</sup>) concrete floor or min 6 in. (152 mm) thick reinforced lightweight or normal weight concrete wall. Wall may also be constructed of any UL Classified **Concrete Blocks\***. Max diam of opening is 12 in. (305 mm)

See **Concrete Block** — (CAZT) category in the Fire Resistance Directory for names of manufacturers.

**2. Metallic Sleeve** — Optional — Nom 12 in. (305 mm) diam (or smaller) Schedule 40 (or heavier) steel pipe cast or grouted into floor or wall assembly, flush with floor or wall assembly.

**3. Metallic Pipe** — Nom 8 in. (203 mm) diam (or smaller) Schedule 10 (or heavier) steel pipe. One pipe shall be centered in through-opening and rigidly supported on both sides of floor or wall surfaces. A nom annular space of 1-11/16 in. (43 mm) is required within the firestop system.

**4. Firestop System** — The firestop system shall consist of the following:

**A. Packing Material** — Min 2 in. (51 mm) thickness of min 4 pcf (64 kg/m<sup>3</sup>) mineral wool batt insulation firmly packed into opening as a permanent form. Packing material to be recessed from top surface of floor or from both surfaces of wall as required to accommodate the required thickness of fill material.

**B. Fill, Void or Cavity Material\* — Sealant** — Min 2 in. (51 mm) thickness of fill material applied within the annulus, flush with top surface of floor or with both surfaces of wall. If cracking occurs after fill material cures, cracks shall be sealed with additional sealant.

**RECTORSEAL** — Types [FS900](#), FS901, FS903, FS903CG, FS905, FS905CG, FS929, FST901, FST903, FST905, [Metacaulk 150+](#)

\*,+ Indicates such products shall bear the UL or cUL Certification Mark for jurisdictions employing the UL or cUL Certification (such as Canada), respectively.

Reprinted from the Online Certifications Directory with permission from UL. ©UL LLC