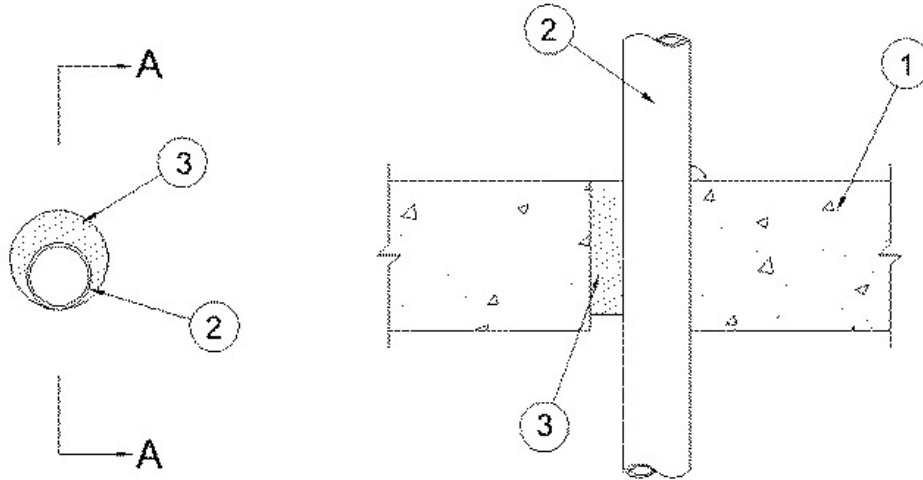


F Rating — 2 h
 FT Rating — 1/4 h
 FH Rating — 0 h
 FTH Rating — 0 h

System not tested with a pressure differential of 50 Pa between the exposed and unexposed side of the assembly



SECTION A-A

1. **Floor or Wall Assembly** — Min 114 mm thick reinforced lightweight or normal weight (1600-2400 kg/m³) concrete. Wall may also be constructed of any ULC Listed **Concrete Blocks**. The opening shall be 13 mm to 19 mm larger than the outside diam of pipe (Item 2). Max diam of opening 76 mm.

See **Concrete Blocks** (CAZTC) category in ULC Fire Resistance Directory for names of manufacturers.

2. **Flame Retardant Polypropylene (FRPP) Pipe** — Nom 51 mm diam (or smaller) Schedule 40 FRPP pipe for use in closed (process or supply) or vented (drain, waste or vent) piping systems. Annular space between pipe and periphery of the opening shall be min 0 mm (point contact) to max 16 mm. Pipe to be rigidly supported on both sides of floor or wall.

• 3. **Fill, Void or Cavity Material - Sealant** — Min 102 mm thickness of sealant applied within the annulus, flush with top surface of floor or both surfaces of wall. A min 13 mm diam bead of caulk shall be applied to the pipe/surface interface at the point contact location on the top surface of floor or both sides of wall.

RECTORSEAL — [Metacaulk 1000](#)

*,+ Indicates such products shall bear the UL or cUL Certification Mark for jurisdictions employing the UL or cUL Certification (such as Canada), respectively.

Reprinted from the Online Certifications Directory with permission from UL. ©UL LLC