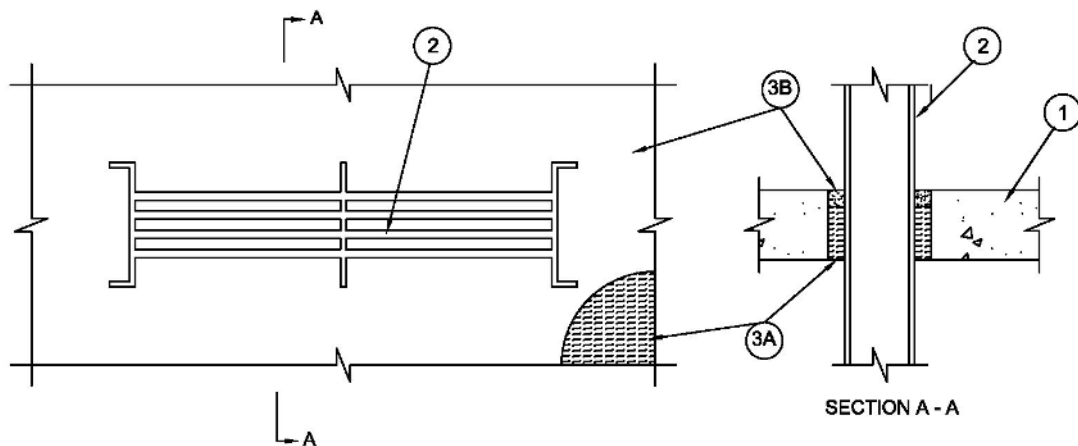




---

ANSI/UL1479 (ASTM E814)	CAN/ULC S115
F Rating — 2 Hr	F Rating — 2 Hr
T Rating — 0 Hr	FT Rating — 0 Hr
	FH Rating — 2 Hr
	FTH Rating — 0 Hr



1. **Floor or Wall Assembly** — Min 4-1/2 in. (114 mm) thick reinforced lightweight or normal weight (100-150 pcf or 1600-2400 kg/m<sup>3</sup>) concrete floor or min 5-1/2 in. (540 mm) thick reinforced lightweight or normal concrete wall. Wall may also be constructed of any UL Classified **Concrete Blocks**\*. Max area of opening is 360 sq. in. (2323 cm<sup>2</sup>) with max dimension of 30 in. (762 mm). See **Concrete Blocks** (CAZT) category in the Fire Resistance Directory for names of manufacturers.

2. **Busway+** — Nom 27 in. (686 mm) wide (or smaller) by 6 in. (152 mm) deep "I" shaped aluminum and steel enclosure containing factory mounted aluminum bars rated for 600 V, 4000A. One busway to be installed within the opening. The annular space between the

flange tip of the busway and the periphery of the opening shall be a nom 2 in. (51 mm). The annular space between the web section of the busway and the periphery of the opening shall be a nom 5-1/4 in. (133 mm). Busway to be rigidly supported on both sides of floor and wall assembly. The busway shall bear the UL Listing Mark. The busway shall be installed in accordance with the locally adopted and enforced building, fire or life safety code.

3. **Firestop System** — The firestop system shall consist of the following:

A. **Packing Material** — Min 3-1/2 in. (89 mm) thickness of min 6 pcf (9<sup>^</sup> kg/m<sup>3</sup>) mineral wool batt insulation firmly packed into opening as a permanent form. Packing material to be recessed from top surface of floor and from both surfaces of wall as required to accommodate the required thickness of fill material.

B. **Fill, Void or Cavity Material\*** — **Caulk** — Min 1 in. (25 mm) thickness of fill material applied within the annulus, flush with top surface of floor and both surfaces of wall.

**RECTORSEAL** — FS900, FS901, FS903, FS903CG, FS905CG, FS929, FST901, FST903, FST905, [Metacaulk 150+](#)

\* Indicates such products shall bear the UL or cUL Certification Mark for jurisdictions employing the UL or cUL Certification (such as Canada), respectively.