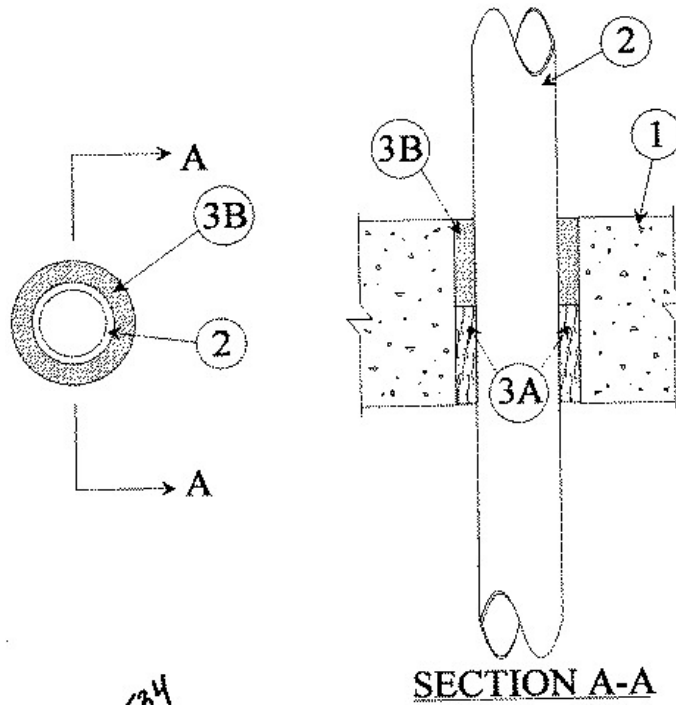


F Rating — 3 Hr  
T Ratings — 1/2 and 2 Hr (See Item 2)



1. **Floor or Wall Assembly** — Min 4-1/2 in. thick reinforced lightweight or normal weight (100-150 pcf) concrete floor or min 6-1/2 in. thick reinforced lightweight or normal weight concrete wall. Wall may also be constructed of any UL Classified **Concrete Blocks\***. Max diam of opening is 4-1/2 in. See **Concrete Blocks\*** (CAZT) category in the Fire Resistance Directory for names of manufactures.

2. **Through Penetrants** — One nonmetallic pipe or conduit to be centered within the firestop system. Pipe or conduit to be rigidly supported on both sides of floor or wall assembly. A nom annular space of 1/2 in. is required within the firestop system. The following types and sizes of nonmetallic pipes may be used:

A. **Polyvinyl Chloride (PVC) Pipe** — Nom 3 in. diam (or smaller) Schedule 40 PVC pipe for use in closed (process or supply) piping system. The T Rating is 2 Hr when PVC pipe is used.

B. **Chlorinated Polyvinyl Chloride (CPVC) Pipe** — Nom 3 in. diam (or smaller) SDR 17 CPVC pipe for use in closed (process or supply) piping systems. The T Rating is 2 Hr when CPVC pipe is used.

C. **Acrylonitrile Butadiene Styrene (ABS) Pipe** — Nom 3 in. diam (or smaller) Schedule 40 ABS pipe for use in closed (process or supply) piping systems. The T Rating is 1/2 Hr when ABS pipe is used.

3. **Firestop System** — The firestop system shall consist of the following:

A. **Packing Material** — Min 2-1/2 in. thickness of min 4.0 pcf mineral wool batt insulation firmly packed into opening as a permanent form. Packing material to be recessed from top surface of floor or from both surfaces of wall as required to accommodate the required thickness of fill material. When PVC pipe is used, foam backer rod may be used in lieu of the mineral wool described above.

B. **Fill, Void or Cavity Material\*** — Caulk — Min 2 in. thickness of fill material applied within the annulus, flush with top surface of floor or with both surfaces of wall.

**RECTORSEAL** — [Metacaulk 1000](#)

\*,+ Indicates such products shall bear the UL or cUL Certification Mark for jurisdictions employing the UL or cUL Certification (such as Canada), respectively.

Reprinted from the Online Certifications Directory with permission from UL. ©UL LLC