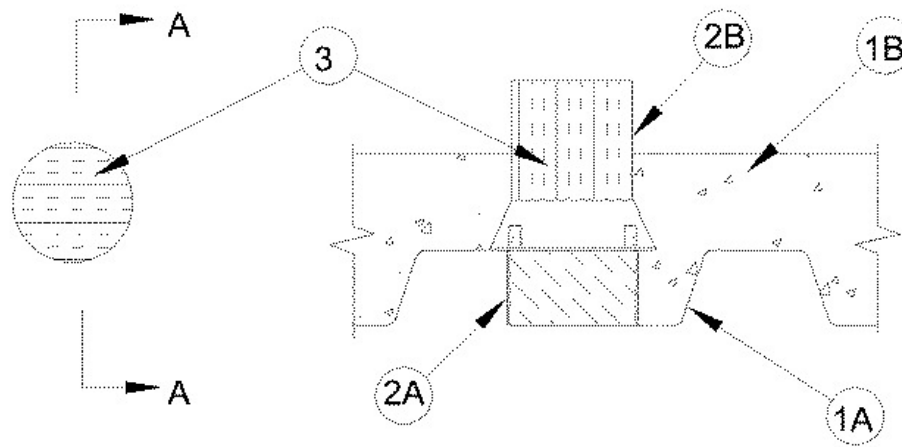


**F Rating - 2 Hr**  
**T Rating - 2 Hr**  
**W Rating - Class 1 (See Item 4)**



## Section A-A

**1. Floor Assembly** — The fire-rated unprotected concrete and steel deck floor assembly shall be constructed of the materials and in the manner specified in the individual D900 Series designs in the UL Fire Resistance Directory and as summarized below:

A. **Concrete** — Min 2-1/2 in. (64 mm) thick reinforced lightweight or normal weight (100-150 pcf or 1600-2400 kg/m<sup>3</sup>) concrete.

B. **Steel Floor and Form Units\*** — Composite or noncomposite max 3 in. (76 mm) deep fluted galv units as specified in the individual Floor-Ceiling design.

**2. Firestop Devices\*** — The firestop devices are cast in place and permanently embedded during concrete placement in accordance with accompanying installation instructions.

A. **Metal Deck Adapter Kit** — Nom 2-1/2 in. (64 mm) or 4 in. (102 mm) adapter kit installed through opening in deck and secured to deck with four sheet metal screws in accordance with installation instructions. Adapter kit consists of a cardboard concrete form of the same size as the firestop device (Item 2B).

B. **Firestop Device\*** — Nom 2-1/2 in. (64 mm) or 4 in. (102 mm) device, snapped into top of metal deck adapter in accordance with accompanying installation instructions. The device shall extend min 2 in (51 mm) up to a of max 5-1/2 in. (140 mm) above top surface of floor.

**RECTORSEAL** — Biostop or Rectorseal Cast -in- Place Firestop Device

**3. Packing Material** — Min 3-1/2 in. (89 mm) thickness of min 4 pcf (64 kg/m<sup>3</sup>) mineral wool batt insulation firmly packed into the top of the firestop device (Item 2B) as a permanent form. The packing material is to be recessed 1-1/2 in. (38 mm) below the top surface of the floor and extend upward 2 in. (51 mm) above the top surface of the floor. When optional caulk (Item 4) is used, packing material to be recessed from top of device to accommodate the required thickness of caulk.

**4. Fill, Void or Cavity Material\* — Caulk** — (Optional, Not Shown) - Min 1/4 in. (6 mm) thickness for 2-1/2 in. (64 mm) and 4 in. (102 mm) CIP device. Caulk applied within device, flush with top surface of device.

**RECTORSEAL** — Biostop 750SL, Biotherm 100, Biotherm 200SL, Biostop 750, Biostop 150+ (750 and 150+ only with 2-1/2 in. (64 mm) CIP device)

**W Rating only applies when the optional caulk is used.**

\*,+ Indicates such products shall bear the UL or cUL Certification Mark for jurisdictions employing the UL or cUL Certification (such as Canada), respectively.



---

Reprinted from the Online Certifications Directory with permission from UL. ©UL LLC