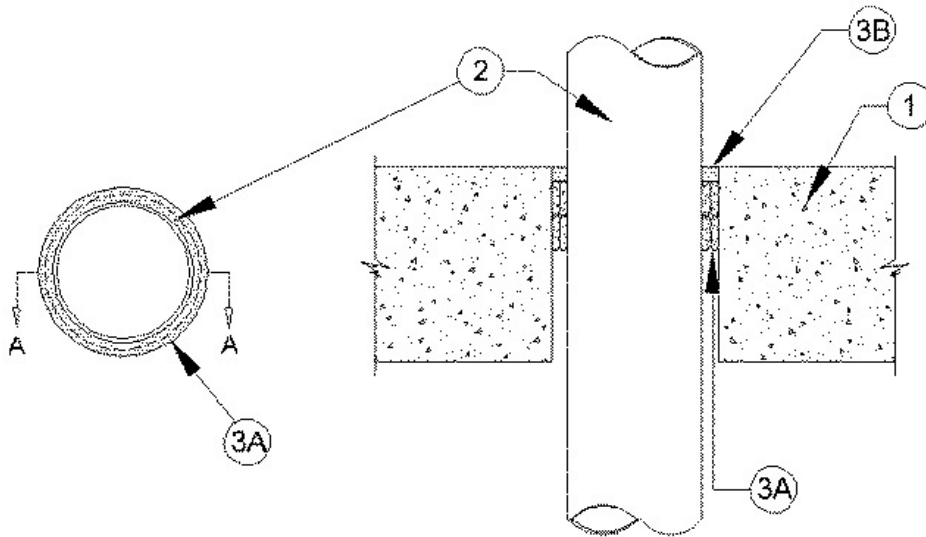


ANSI/UL1479 (ASTM E814)	CAN/ULC S115
F Rating — 3 Hr	F Rating — 3 Hr
T Rating — 2-3/4 and 3 Hr (See Item 3)	FT Rating — 2-3/4 and 3 Hr (See Item 3)
L Rating At Ambient — Less Than 1 CFM/sq ft	FH Rating — 3 Hr
	FTH Rating — 2-3/4 and 3 Hr (See Item 3)



SECTION A-A

System tested with a pressure differential of 50 Pa between the exposed and the unexposed surfaces with the higher pressure on the exposed side.

1. **Floor or Wall Assembly** — Min 4-1/2 in. (114 mm) thick lightweight or normal weight (100-150 pcf or 1600-2400 kg/m³) concrete. Wall may also be constructed of any UL Classified **Concrete Blocks***. Max diam of opening 5 in. (127 mm). See **Concrete Blocks** (CAZT) category in the Fire Resistance Directory for names of manufacturers.

2. **Through Penetrants** — One nonmetallic pipe to be installed concentrically within the firestop system. Pipe to be rigidly supported on both sides of wall assembly. The following types and sizes of nonmetallic pipes may be used:

A. **Polyvinyl Chloride (PVC) Pipe** — Nom 3 in. (76 mm) diam (or smaller) Schedule 40 cellular or solid core PVC pipe for use in vented (drain, waste or vent) piping systems.

3. **Firestop System** — The firestop system shall consist of the following:

A. **Fill, Void or Cavity Material* — Wrap Strip** — One stack of nom 1/4 in. (6 mm) thick by 2 in. (51 mm) wide or two stacks of nom 1/4 in. (6 mm) thick by 1 in. (25 mm) wide intumescent wrap strip individually wrapped around the outer circumference of the pipe with ends butted and held in place with tape or tie wire. Butted ends in successive layers shall be offset. Wrap strip slid into annular space and recessed from the top surface of floor or from both surfaces of wall to accommodate the required thickness of fill material. The pipe size, annular space, number of wrap strip layers and resulting T Rating is shown in the table below:

Nom Pipe Diam, In. (mm)	Annular Space, In. (mm)	No. of Wrap Strip Layers	T Rating, Hr
2 (51) or smaller	1/4 (6) to 5/16 (8)	1	2-3/4
3 (76) or smaller	1/2 in. (13) to 3/4 (19)	2	3

RECTORSEAL — [Metacaulk Wrap Strip](#)

B. **Fill, Void or Cavity Material* — Caulk** — Min 6 mm (1/4 in.) thickness of fill material applied within the annulus, flush with the top surface of floor or both surfaces of wall.

RECTORSEAL — [Metacaulk 1000](#) or [Metacaulk 350i](#)

*,+ Indicates such products shall bear the UL or cUL Certification Mark for jurisdictions employing the UL or cUL Certification (such as Canada), respectively.

Reprinted from the Online Certifications Directory with permission from UL. ©UL LLC