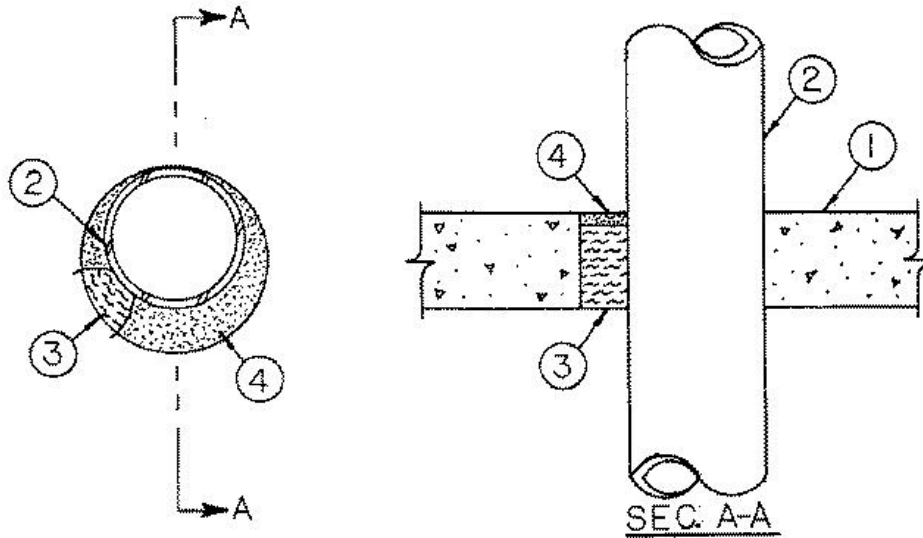


F Rating — 3 Hr
T Rating — 0 Hr
L Rating at Ambient — Less Than 1 CFM/sq ft
L Rating at 400 F — 3 CFM/sq ft
W Rating — Class 1



1. Floor or Wall Assembly — Min 4-1/2 in. thick reinforced lightweight or normal weight (100-150 pcf) concrete. Wall may also be constructed of any UL Classified **Concrete Blocks***. Floor may also be constructed of any min 6 in. thick UL Classified hollow-core **Precast Concrete Units***. Max diam of opening in solid lightweight or normal weight concrete floor or wall is 8 in. Max diam of opening in hollow-core precast concrete unit floor is 7 in. See **Concrete Block (CAZT)** and **Precast Concrete Units (CFTV)** categories in the Fire Resistance Directory for names or manufacturers.

2. Through Penetrants — One metallic pipe, conduit or tubing to be installed either concentrically or eccentrically within the firestop system. Pipe or conduit may be installed in contact with or away from edge of through opening with a max annular space of 3-1/2 in. Pipe, conduit or tubing to be rigidly supported on both sides of floor or wall assembly. The following types and sizes of metallic pipes, conduits or tubing may be used:

A. **Steel Pipe** — Nom 6 in. diam (or smaller) Schedule 40 (or heavier) steel pipe.

B. **Conduit** — Nom 6 in. diam (or smaller) steel electrical metallic tubing or steel conduit.

3. Packing Material — Min 4 in. thickness of ceramic (alumina silica) fiber blanket or mineral wool batt material insulation firmly packed within opening as a permanent form. Packing material to be recessed from top surface of solid concrete floor, or from both surfaces of wall or hollow-core floor as required to accommodate the required thickness of fill material.

4. Fill, Void or Cavity Materials* — Caulk — Min 1/4 in. thickness of fill material applied within annulus, flush with top surface of solid concrete floor, or with both surfaces of wall or hollow-core floor.

RECTORSEAL — [Metacaulk 835+](#)

*,+ Indicates such products shall bear the UL or cUL Certification Mark for jurisdictions employing the UL or cUL Certification (such as Canada), respectively.

Reprinted from the Online Certifications Directory with permission from UL. ©UL LLC