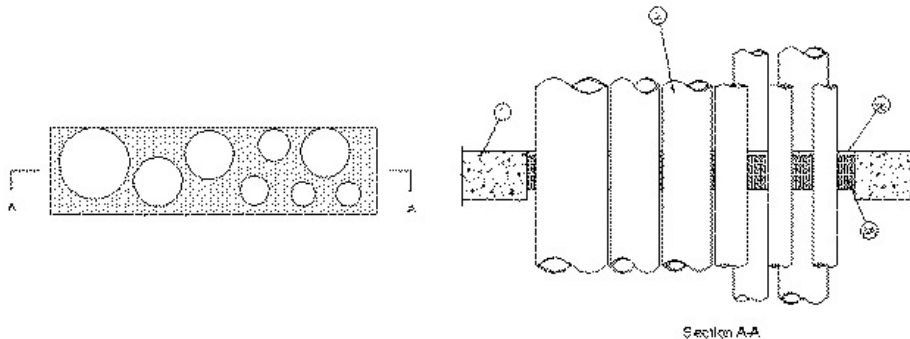


F Rating — 2 Hr  
T Rating — 0 Hr



1. **Floor or Wall Assembly** — Min 4-1/2 in. (114 mm) thick reinforced lightweight or normal weight (100-150 pcf or 1600-2400 kg/m<sup>3</sup>) concrete floor. Wall may also be constructed of any UL classified **Concrete Blocks\***. Max area of opening is 240 sq in. (0.15 m<sup>2</sup>) with max dimension of 30 in. (762 mm).

See **Concrete Blocks** (CAZT) category in the Fire Resistance Directory for names of manufacturers.

2. **Through-Penetrants** — Max eight pipes, conduits or tubing to be installed within the opening. The space between pipes, conduits or tubing shall be min 1/2 in. (13 mm) to max 2-3/4 in. (70 mm). The space between pipes, conduits or tubing and periphery of opening shall be min 0 in. (point contact) to max 3-1/4 in. (83 mm). Penetrants to be rigidly supported on both sides of floor or wall assembly. The following types and sizes of pipes, conduits or tubing may be used:

A. **Steel Pipe** — Nom 6 in. (152 mm) diam (or smaller) Schedule 10 (or heavier) steel pipe.

B. **Copper Pipe** — Nom 3 in. (76 mm) diam (or smaller) regular (or heavier) copper pipe.

C. **Copper Tubing** — Nom 3 in. (76 mm) diam (or smaller) Type L (or heavier) copper tubing.

D. **Conduit** — Nom 4 in. (102 mm) diam (or smaller) steel electrical metallic tubing or rigid steel conduit.

E. **Through Penetrating Product\* - Flexible Metal Piping** — Nom. 2 in. (51 mm) diam (or smaller) corrugated stainless steel tubing with plastic outer jacket

**GASTITE, DIV OF TITFLEX** — CSST or FlashShield CSST

3. **Firestop System** — The firestop system shall consist of the following:

A. **Packing Material** — Min 3 in. (76 mm) thickness of min 4 pcf (64 kg/m<sup>3</sup>) mineral wool batt insulation firmly packed into opening as a permanent form. Packing material to be recessed from top surface of floor or both surfaces of wall to accommodate the required thickness of fill material.

B. **Fill, Void or Cavity Material\* - Caulk** — Min 1/2 in. (13 mm) thickness of fill material applied within the annulus, flush with top surface of floor and both surfaces of wall. When min 4 in. (102 mm) of min 4 pcf (64 kg/m<sup>3</sup>) mineral wool batt insulation is used as described above, thickness of fill material may be reduced to 1/4 in. (6 mm). A min 1/4 in. (6 mm) diam bead of caulk shall be applied to the penetrant/concrete interface at the point contact location on the top surface of floor or both surfaces of wall.

**RECTORSEAL** — [Metacaulk 350i](#)

\*,+ Indicates such products shall bear the UL or cUL Certification Mark for jurisdictions employing the UL or cUL Certification (such as Canada), respectively.

Reprinted from the Online Certifications Directory with permission from UL. ©UL LLC