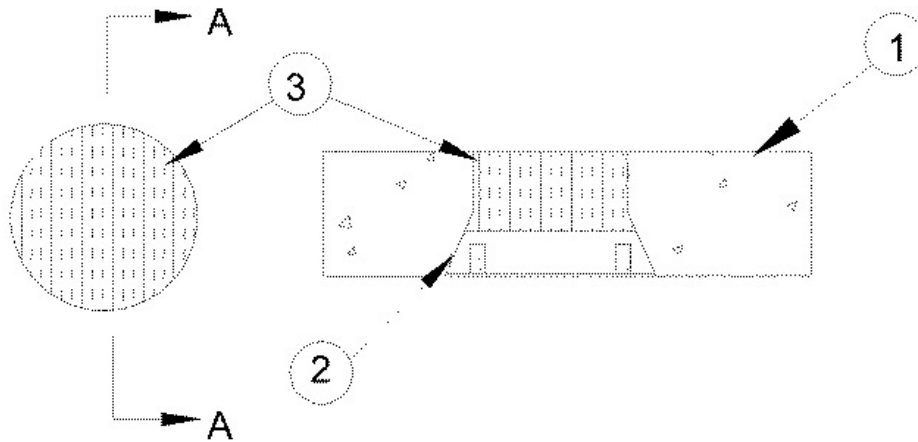


**F Rating - 4 Hr**  
**T Ratings - 2-3/4 and 3 Hr (See Item 2)**  
**W Rating - Class 1 (See Item 4)**



**Section A-A**

**1. Floor Assembly** — Min 4-1/2 in. (114 mm) thick reinforced lightweight or normal weight (100-150 pcf or 1600-2400 kg/m<sup>3</sup>) concrete.

**2. Firestop Devices\*** — Cast in place firestop device permanently embedded during concrete placement in accordance with accompanying installation instructions. The device may project up to a max of 3-1/2 in. (89 mm) above top surface of floor or may be trimmed flush with top surface of floor. The devices are provided in three sizes, nom 2-1/2 in. (64 mm), nom 4 in. (102 mm) and nom 6 in. (152 mm) diam.

**RECTORSEAL** — Biostop or Rectorseal Cast -in- Place Firestop Device

**The T Rating is 3 Hr for the 2-1/2 in. (64 mm) devices. For the 4-1/2 in. devices, the T Rating is 2-3/4 Hr when the device extends above the top surface of the slab and 3 Hr when the device is trimmed flush with the top of the slab. For the 6 in. devices; the T Rating is 3 Hr when the device is trimmed flush with the top of the slab.**

**3. Packing Material** — Min 3 in. (76 mm) thickness of min 4 pcf (64 kg/m<sup>3</sup>) mineral wool batt insulation firmly packed into the top of the firestop device (Item 2) as a permanent form, flush with the top surface of the floor or recessed from the top surface of the device to accommodate the required thickness of caulk (Item 4).

**4. Fill, Void or Cavity Material\* — Caulk** — (Optional, Not Shown) - Min 1/4 in. (6 mm) thickness for 2-1/2 in. (64 mm) and 4 in. (102 mm) CIP device and min 3/8 in. (10 mm) thickness for 6 in. (152 mm) CIP device. Caulk applied within device to finish flush with top surface of device.

**RECTORSEAL** — Biotherm 100, Biotherm 200SL, Biostop 750SL (only with 2-1/2 in. (64 mm) and 4 in. (102 mm) CIP device), Biostop 750, Biostop 150+ (750 and 150+ only with 2-1/2 in. (64 mm) CIP device)

**W Rating only applies when the optional caulk is used.**

\*,+ Indicates such products shall bear the UL or cUL Certification Mark for jurisdictions employing the UL or cUL Certification (such as Canada), respectively.

Reprinted from the Online Certifications Directory with permission from UL. ©UL LLC