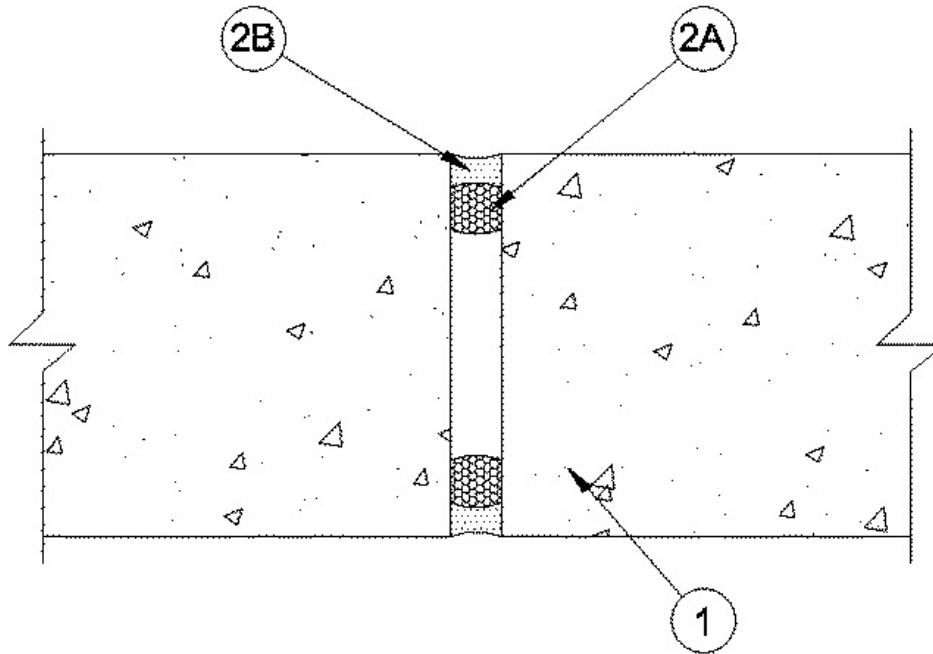


Assembly Rating — 2 Hr
Nominal Joint Width - 1 in. max
Class II and III Movement Capabilities - 12.5% Compression and Extension



1. **Wall Assembly** — Min 4-1/2 in. thick lightweight or normal weight (100-150 pcf) concrete wall. Wall may also be constructed of any UL Classified **Concrete Blocks***.
 See **Concrete Blocks** (CAZT) category in the Fire Resistance Directory for names of manufacturers.

2. **Joint System** — Max width of joint (at time of installation) is 1 in. The joint system is designed to accommodate a max 12.5% compression or extension from its installed width. The joint system shall consist of the following:

A. **Packing Material** — Foam backer rod firmly packed into opening as a permanent form on both sides of wall. Packing material to be recessed from both surfaces of wall to accommodate the required thickness of fill material.

B. **Fill, Void or Cavity Material*** — Min 1/2 in. thickness of fill material applied within the joint, flush with each surface of wall.

RECTORSEAL — [MC 150+ Caulk](#)

*,+ Indicates such products shall bear the UL or cUL Certification Mark for jurisdictions employing the UL or cUL Certification (such as Canada), respectively.

Reprinted from the Online Certifications Directory with permission from UL. ©UL LLC