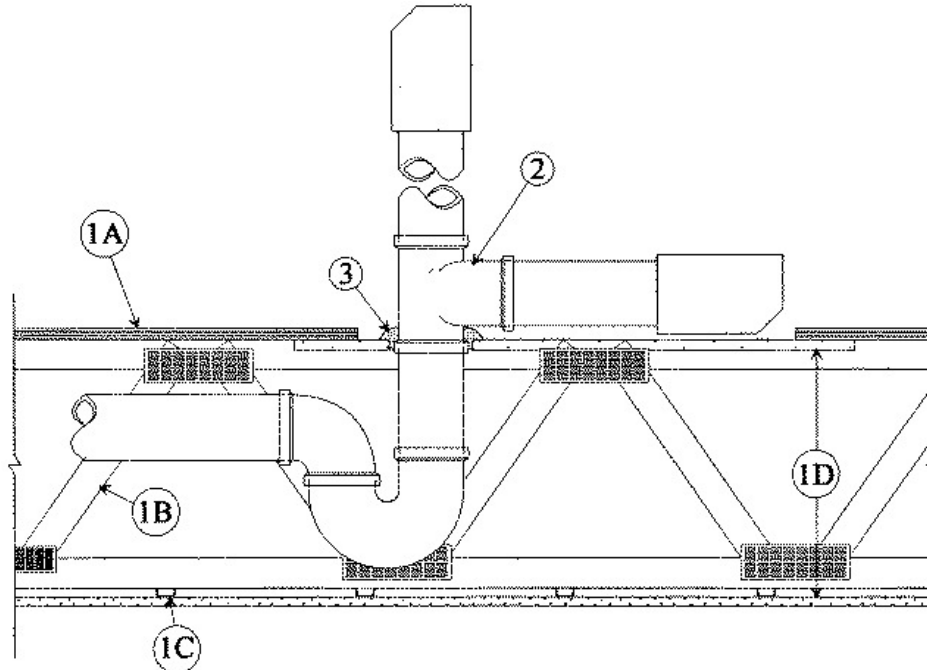


ANSI/UL1479 (ASTM E814)	CAN/ULC S115
F Ratings - 1 Hr	F Ratings - 1 Hr
T Ratings - 1 Hr	FT Ratings - 1 Hr
	FH Ratings - 1 Hr
	FTH Ratings - 1 Hr
L Rating At Ambient - Less Than 1 CFM/sq ft	L Rating At Ambient - Less Than 1 CFM/sq ft
L Rating At 400 F - Less Than 1 CFM/sq ft	L Rating At 400 F - Less Than 1 CFM/sq ft



1. Floor-Ceiling Assembly — The 1 hr fire-rated solid or trussed lumber joist floor-ceiling assembly shall be constructed of the materials and in the manner specified in individual L500 Series Floor-Ceiling Designs in the UL Fire Resistance Directory, as summarized below:

A. Flooring System — Lumber or plywood subfloor with finish floor of lumber, plywood or **Floor Topping Mixture*** as specified in the individual Floor-Ceiling Design. Rectangular cutout in flooring to accommodate the bathtub drain piping (Item 2) to be max 8 by 12 in. (203 by 305 mm).

B. Wood Joists — Nom 2 by 10 in. (51 by 254 mm) lumber joists spaced 16 in. (406 mm) OC with nom 1 by 3 in. (25 by 76 mm) lumber bridging and with ends firestopped. As an alternate to lumber joists, nom 10 in. (254 mm) deep (or deeper) lumber, steel or combination lumber and steel joists, trusses or **Structural Wood Members*** with bridging as required with ends firestopped.

C. Furring Channels — (Not Shown) — Resilient galv steel furring installed perpendicular to wood joists (Item 1B) between gypsum board (Item 1D) and wood joists as required in the individual Floor Ceiling Design.

D. Gypsum Board* — Nom 4 ft (1.2 m) wide by 5/8 in. (16 mm) thick as specified in the individual Floor-Ceiling Design. Gypsum board secured to wood joists as specified in the individual Floor-Ceiling Design. One piece of gypsum board, min 4 in. (102 mm) longer and wider than the cutout in the flooring, screw-attached to bottom of flooring concentric with cutout by means of 1 in. (25 mm) long Type S steel screws spaced max 5 in. (127 mm) OC. Diam of opening hole-sawed through the gypsum board patch to be 1 in. (25 mm) larger than outside diam of bathtub drain piping (Item 2).

2. Drain Piping — Nom 1-1/2 in. (38 mm) diam Schedule 40 solid or cellular core polyvinyl chloride (PVC) or acrylonitrile butadiene styrene (ABS) pipe and drain fittings cemented together and provided with PVC bathtub waste/overflow fitting. Pipe to be installed either concentrically or eccentrically within the firestop system. The annular space within the firestop system shall be a min 3/8 in. (10 mm) to a max 5/8 in. (16 mm).

3. Fill Void or Cavity Material* — Sealant — Min 5/8 in. (16 mm) thickness of fill material to be applied within annulus between
[Benzer Detaylar görmek için linki ziyaret ediniz.](#)

the tee of the drain fitting and gypsum board patch on the top surface of the floor. An additional 1/4 in. (6 mm) crown of fill material shall be applied around tee of drain fitting on top surface of the gypsum board patch.

RECTORSEAL — FlameSafe FS1900, FS1901, FS1905, FS1929, FS900+, [Metacaulk MC 150+](#), [Metacaulk 1000](#), [Metacaulk 350i](#), Biostop BF150+, Biostop 350i or Biostop 500+

*,+ Indicates such products shall bear the UL or cUL Certification Mark for jurisdictions employing the UL or cUL Certification (such as Canada), respectively.

Reprinted from the Online Certifications Directory with permission from UL. ©UL LLC