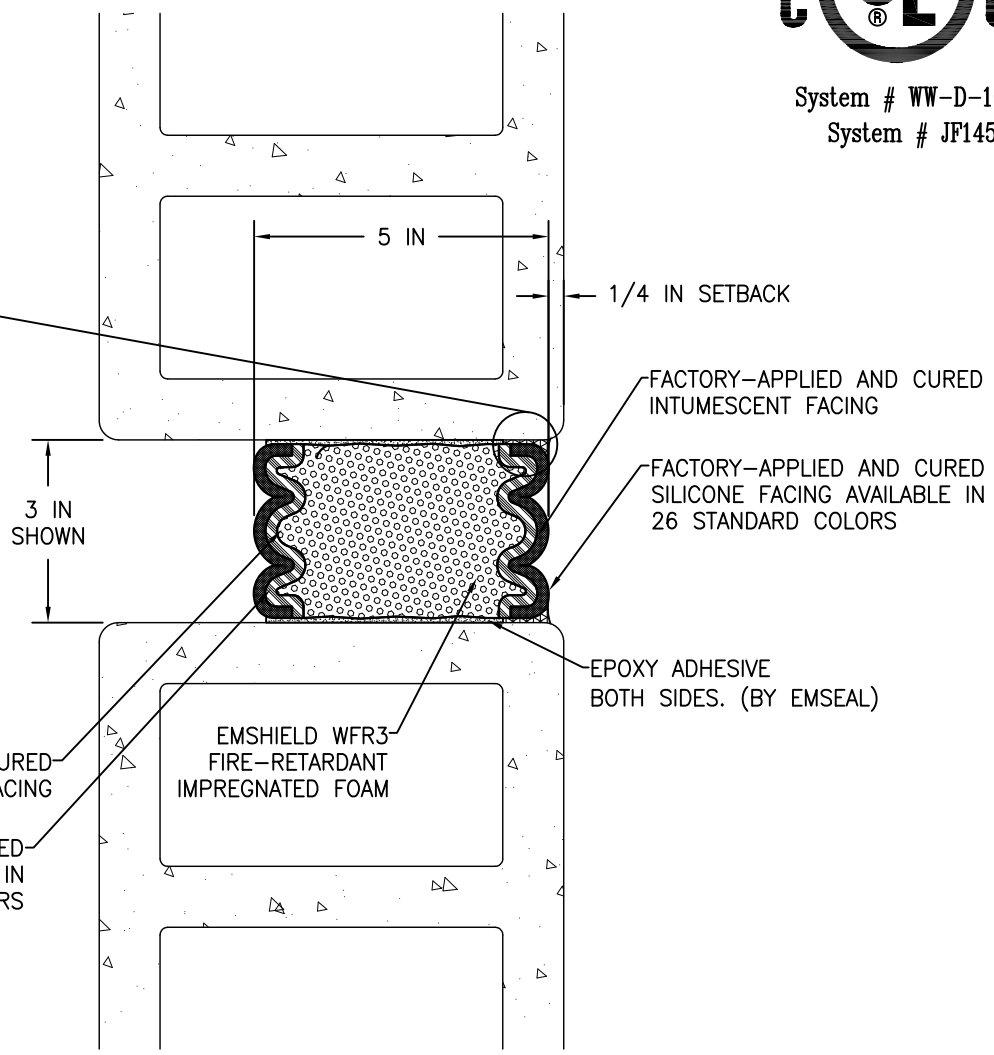


FIELD-APPLIED SILICONE SEALANT BAND AND CORNER BEADS FORCED DOWN ALONG SIDE OF EMSHIELD WFR3 AS SHOWN - BOTH SIDES (SILICONE SUPPLIED BY EMSEAL)



System # WW-D-1087  
System # JF145



FACTORY-APPLIED AND CURED INTUMESCENT FACING  
FACTORY-APPLIED AND CURED SILICONE FACING AVAILABLE IN 26 STANDARD COLORS

1/4 IN SETBACK  
FACTORY-APPLIED AND CURED INTUMESCENT FACING  
FACTORY-APPLIED AND CURED SILICONE FACING AVAILABLE IN 26 STANDARD COLORS  
EPOXY ADHESIVE BOTH SIDES. (BY EMSEAL)

EMSHIELD WFR3  
FIRE-RETARDANT  
IMPREGNATED FOAM

MOVEMENT: ±25% (TOTAL 50%) OF NOMINAL MATERIAL SIZE

EMSEAL'S EMSHIELD WFR3 HAS BEEN TESTED IN ACCORDANCE WITH UL 2079 IN THE CONFIGURATION DEPICTED IN SYSTEM # WW-D-1087. USE OF THIS MATERIAL IN WALL ASSEMBLY CONFIGURATIONS OTHER THAT DEPICTED IN UL SYSTEM # WW-D-1087 WILL NOT ENCUMBER OR LOWER THE RESISTANCE OF THE WALL BUT IS DONE SO AT THE DESIGNERS' DISCRETION AND RESPONSIBILITY FOR DESIGN OF A FIRE RATED WALL ASSEMBLY THAT MEETS APPLICABLE STANDARDS FOR THE PROJECT AND WHICH ADDITIONALLY IS CAPABLE OF RESISTING THE APPROXIMATELY 2.5 PSI (150 LBS PER FOOT OF JOINT BASED ON 5-INCH DEPTH OF SEAL) BACKPRESURE OF THE WFR3 MATERIAL.

## EMSEAL JOINT SYSTEMS LTD.

### EMSHIELD WFR3 CONTINUOUS WALL TO WALL

THIS DOCUMENT CONTAINS INFORMATION OF A CONFIDENTIAL NATURE AND IS PROPRIETARY TO EMSEAL JOINT SYSTEMS LTD. ANY UNAUTHORIZED USE WILL BE PROSECUTED. THIS DRAWING IS PROTECTED BY COPYRIGHT, THE RIGHT TO REPRODUCE IN ANY FORM BEING THE EXCLUSIVE RIGHT OF EMSEAL JOINT SYSTEMS LTD. ANY UNAUTHORIZED REPRODUCTION WHETHER IN TWO OR THREE DIMENSIONS WILL BE PROSECUTED. ©2014 EMSEAL JOINT SYSTEMS LTD.

DRAWN BY: NER	DATE: 2015/04/06	SCALE: N.T.S.	SHEET No: 1 OF 1
------------------	---------------------	------------------	---------------------

PART NUMBER:  
WFR3\_0300\_WW\_CONC\_CMU