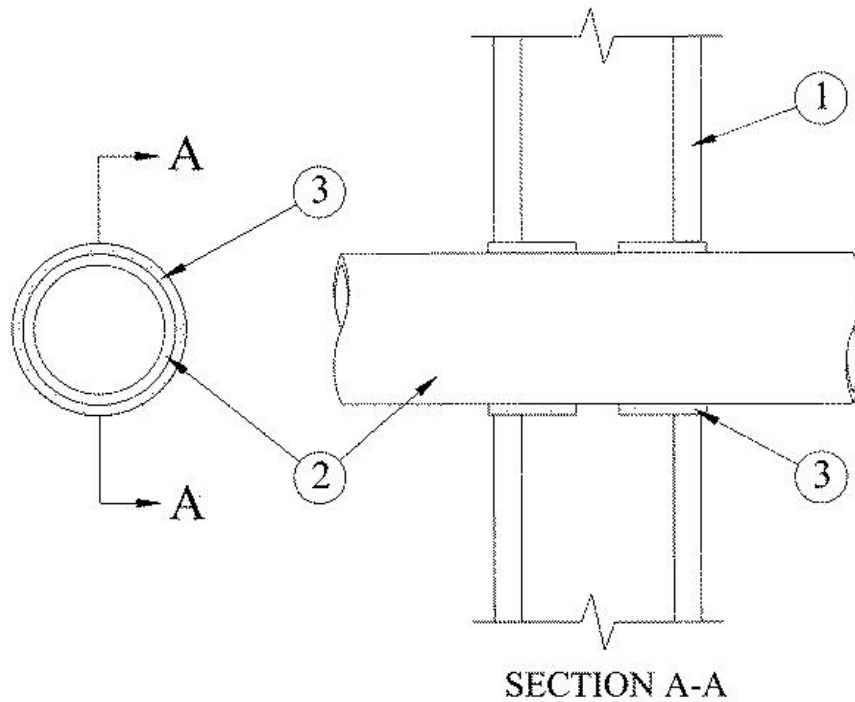


F Rating — 1 Hr  
T Rating — 1 Hr



**1. Wall Assembly** — The 1 hr fire-rated gypsum wallboard/stud wall assembly shall be constructed of the materials and in the manner specified in the individual U300 or U400 Series Wall and Partition Designs in the UL Fire Resistance Directory and shall include the following construction features:

A. **Studs** — Wall framing shall consist of wood studs or steel channel studs. Wood studs to consist of 2 by 4 in. lumber spaced 16 in. OC. Steel studs to be min 3-1/2 in. wide and spaced max 24 in. OC.

B. **Wallboard, Gypsum\*** — Min 5/8 in. thick, 4 ft wide with square or tapered edges. The gypsum wallboard type, thickness, number of layers and orientation shall be as specified in the individual U300 or U400 Wall and Partition Design. Max diam of opening is 4 in.

**2. Through Penetrants** — One nonmetallic pipe to be centered within the firestop system. A nom annular space of 1/4 in. is required within the firestop system. Pipe to be rigidly supported on both sides of wall assembly. The following types and sizes of nonmetallic pipes may be used:

A. **Polyvinyl Chloride (PVC) Pipe** — Nom 3 in. diam (or smaller) Schedule 40 solid or cellular core PVC pipe for use in closed (process or supply) or vented (drain, waste or vent) piping systems.

B. **Chlorinated Polyvinyl Chloride (CPVC) Pipe** — Nom 3 in. diam (or smaller) SDR 17 CPVC pipe for use in closed (process or supply) piping systems.

**3. Fill, Void or Cavity Material - Wrap Strip** — Nom 1/4 in. thick by 2 in. wide intumescent wrap strip. The wrap strip is wrapped around the outer circumference of the pipe once and secured with tape or tie wire. Wrap strip slid into annular space such that edge projects 1/8 in. beyond surface of wall. Wrap strip installed on each surface of wall.

**RECTORSEAL** — [Metacaulk Wrap Strip](#)

\*,+ Indicates such products shall bear the UL or cUL Certification Mark for jurisdictions employing the UL or cUL Certification (such as Canada), respectively.

Reprinted from the Online Certifications Directory with permission from UL. ©UL LLC