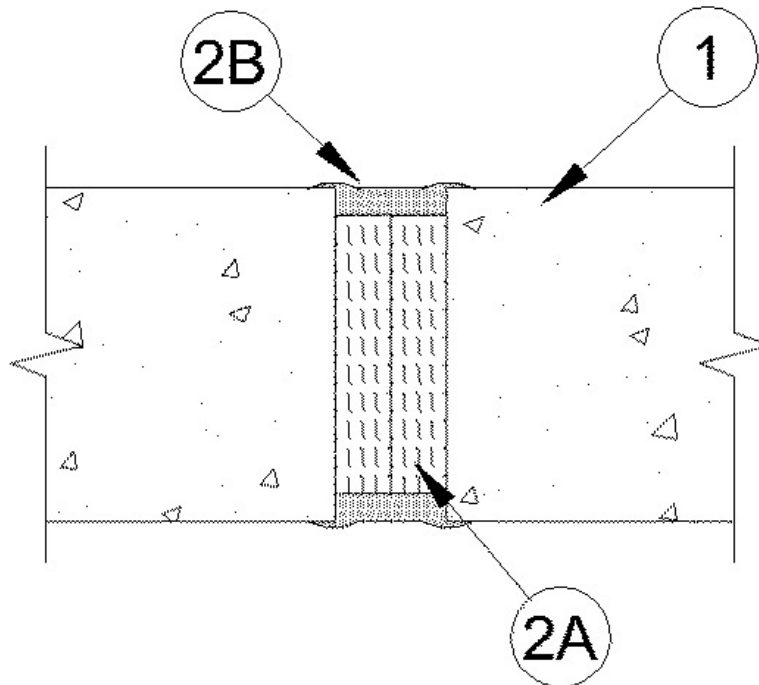


ANSI/UL2079	CAN/ULC S115
Assembly Rating — 4 Hr	F Rating — 4 Hr
Nominal Joint Width - 2 In.	FT Rating — 4 Hr
Class II Movement Capabilities -13% Compression or Extension	FH Rating — 4 Hr
	FTH Rating — 4 Hr
	Nominal Joint Width - 2 In.
	Class II Movement Capabilities -13% Compression or Extension



**1. Wall Assembly** — Min 6 in. (152 mm) thick steel-reinforced lightweight or normal weight (100-150 pcf or 1600-2400 kg/m<sup>3</sup>) structural concrete. Wall may also be constructed of any 4 hr fire rated UL Classified **Concrete Blocks**\*.

See **Concrete Blocks** (CAZT) category in the Fire Resistance Directory for names of manufacturers.

**2. Joint System** — Max width of joint (at time of installation of joint system) is 2 in. (51 mm). System is designed to accommodate a max 13 percent compression or extension from its installed width. The joint system shall consist of the following:

A. **Forming Material\*** — Min 4 pcf (64 kg/m<sup>3</sup>) mineral wool batt insulation installed in joint opening as a permanent form. Pieces of batt cut to min width of 5 in. (127 mm) and installed edge-first into joint opening, parallel with joint direction, such that batt sections are compressed min 50 percent in thickness and such that the compressed batt sections are recessed from both surfaces of wall as required to accommodate the required thickness of fill material. Adjoining lengths of batt to be tightly-butted with butted seams spaced min 24 in. (610 mm) apart along the length of the joint.

**INDUSTRIAL INSULATION GROUP L L C** — MinWool-1200 Safing

**JOHNS MANVILLE** — Safing

**ROCK WOOL MANUFACTURING CO** — Delta Safing Insulation

**ROCKWOOL MALAYSIA SDN BHD** — SAFE Mineral Wool

---

**ROCKWOOL** — SAFE Mineral Wool

**THERMAFIBER INC** — SAF Mineral Wool

**B. Fill, Void or Cavity Material\* - Sealant** — Min 1/2 in. (13 mm) thickness of fill material applied within the joint, flush with both surfaces of wall. A min 1/8 in. (3 mm) thick crown of fill material shall be applied to lap a min of 1/2 in. (13 mm) onto the surface of the wall on each side of the joint on each side of the wall assembly.

**RECTORSEAL** — FS 900+ Sealant, [Metacaulk MC 150+](#), or Biostop [BF 150+](#).

\*,+ Indicates such products shall bear the UL or cUL Certification Mark for jurisdictions employing the UL or cUL Certification (such as Canada), respectively.

Reprinted from the Online Certifications Directory with permission from UL. ©UL LLC