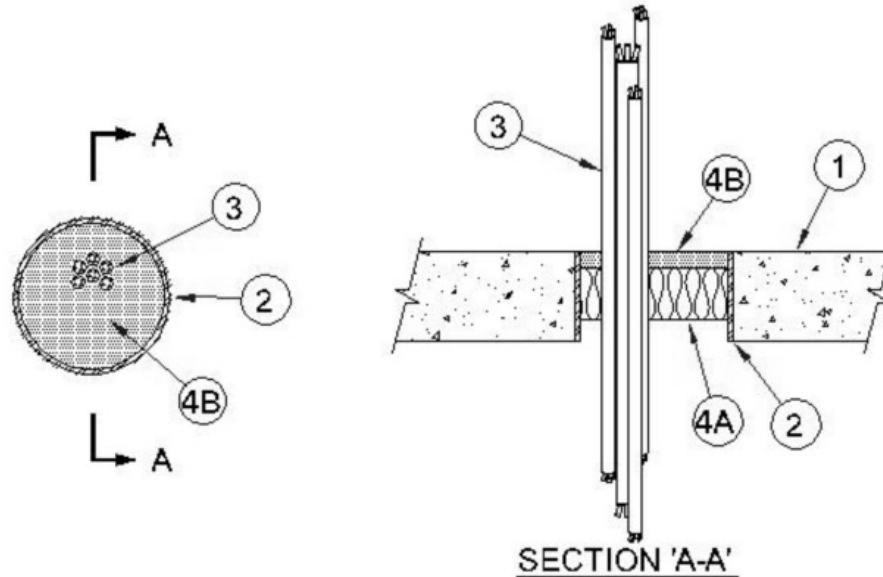


ANSI/UL1479 (ASTM E814)	CAN/ULC S115
F Rating — 3 Hr	F Rating — 3 Hr
T Rating — 1/2 Hr	FT Rating — 1/2 Hr
L Rating At Ambient — Less Than 1 CFM/ft ² (Item 2)	FH Rating — 3 Hr
L Rating At 400 F — 1.4 CFM/ft ² (See Item 3)	FTH Rating — 1/2 Hr
W Rating - Class 1 (See Items 3 and 4B)	L Rating At Ambient — Less Than 5.1 L/s/m ² (See Item 3)
	L Rating At 204 C — 7.1 L/s/m ² (See Item 3)



1. Floor or Wall Assembly — Min 4-1/2 in. (114 mm) thick reinforced lightweight or normal weight (100-150 pcf or 1600-2400 kg/m³) concrete. Floor may also be constructed of any min 6 in. (152 mm) thick UL Classified hollow-core **Precast Concrete Units***. Wall may also be constructed of any UL Classified **Concrete Blocks***. Max diam of opening is 6 in. (152 mm).
 See **Concrete Blocks** (CAZT) category in the Fire Resistance Directory for names of manufacturers.

2. Nonmetallic Sleeve (Optional) — Nom 6 in. (12 mm) diam (or smaller) Schedule 40 polyvinyl chloride (PVC) pipe cast or grouted into floor or wall assembly, flush with floor or wall surfaces.

3. Cables — Aggregate cross-sectional area of cable bundle in opening to be max 45 percent of the cross-sectional area of the opening. Min separation between cable bundle and between cables and periphery of opening is 1/4 in. (6 mm). Max annular space between cable bundle and periphery of opening is 2 in. (51 mm). **L and W Ratings apply only when the min separation between the individual cables is equal to or greater than 1/8 in. (3 mm)**. Cables to be rigidly supported on both sides of floor or wall assembly. The following types and sizes of copper or aluminum conductor cables may be used:

- A. Max 1/C 350 kcmil cable with crosslinked polyethylene (XLPE) jacket.
- B. Max 400 pair No. 24 AWG cable with PVC insulation and jacket.
- C. Max. 3/C No. 2/0 AWG aluminum conductor SER cable with PVC insulation and jacketing.
- D. Max. 3/C No. 12 AWG copper conductor cable with PVC insulation and jacket (Romex).
- E. Max. RG59/U copper conductor coaxial cable with fluorinated ethylene insulation and jacket.
- F. Max. 62.5/125 fiber optic cable with PVC insulation and jacket.
- G. Max. RG/6 No. 18 AWG copper conductor CATV coaxial cable with PVC insulation and jacket.
- H. Max. 4/C No. 2/0 AWG copper conductor, steel or aluminum armored or metal clad cable (MC cable).

4. Firestop System — The firestop system shall consist of the following:
[Benzer Detaylar görmek için linki ziyaret ediniz.](#)

A. Packing Material — Min 4 in. (102 mm) thickness of min 4 pcf (64 kg/m³) mineral wool batt insulation firmly packed into opening as a permanent form. Packing material to be recessed from top surface of floor or from both surfaces of wall or hollow-core concrete floor as required to accommodate the required thickness of fill material.

B. Fill, Void or Cavity Material* - Caulk — Min 1/2 in. (13 mm) thickness of fill material applied within the annulus, flush with top surface of floor or with both surfaces of wall. When the floor is constructed of hollow-core precast concrete units, fill material shall be installed symmetrically on both sides of floor, flush with both floor surfaces.

RECTORSEAL — FlameSafe® FS900+, FlameSafe FS1900, [Metacaulk MC 150+](#), [Metacaulk 1000](#), [Metacaulk 350i](#), Biostop BF [150+](#), Biostop 350i or Biostop 500+

W Rating applies only when [Metacaulk MC 150+](#), [Metacaulk 1000](#), Biostop BF [150+](#), FlameSafe FS900+ or FlameSafe FS1900 is used.

*,+ Indicates such products shall bear the UL or cUL Certification Mark for jurisdictions employing the UL or cUL Certification (such as Canada), respectively.

Reprinted from the Online Certifications Directory with permission from UL. ©UL LLC