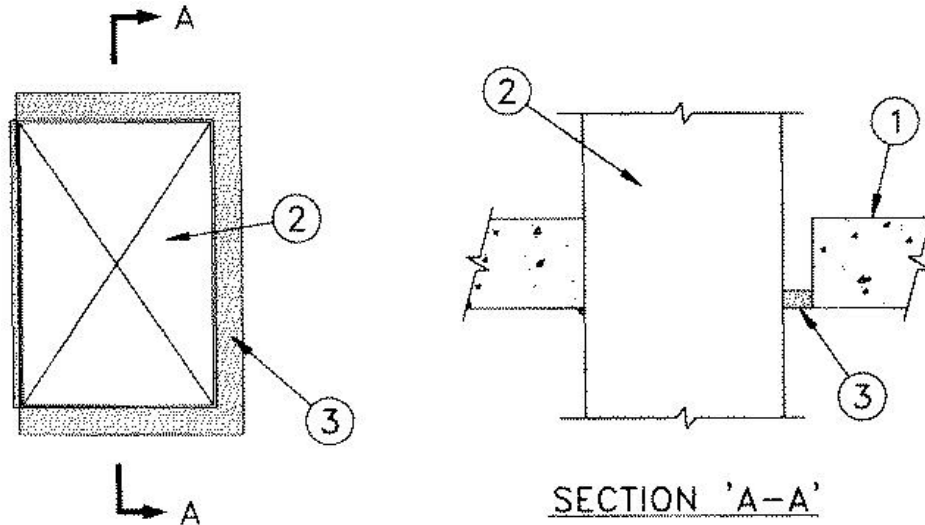


ANSI/UL1479 (ASTM E814)	CAN/ULC S115
F Ratings - 2 Hr	F Ratings - 2 Hr
T Ratings - 0 Hr	FT Ratings - 0 Hr
L Rating At Ambient - Less Than 1 CFM/ft ²	FH Ratings - 2 Hr
L Rating At 400°F - Less Than 1 CFM/ft ²	FTH Ratings - 0 Hr
W Rating - Class 1 (See Item 2)	L Rating At Ambient - Less Than 5.1 L/s/m ²
	L Rating At 204°C - Less Than 5.1 L/s/m ²



1. Floor or Wall Assembly — Min 4-1/2 in. (114 mm) thick reinforced light weight or normal weight (100-150 pcf or 1600-2400 kg/m³) concrete. Floor may also be constructed of any min 6 in. (152 mm) thick UL Classified hollow core **Precast Concrete Units***. Wall may also be constructed of any UL Classified **Concrete Blocks***. Max area of opening is 364 sq. in. (2348 cm²) with max dimension of 26 in. (660 mm). When precast concrete units are used the max area of opening is 49 sq. in. (316 cm²) with max dimension of 7 in. (178 mm).

See **Concrete Blocks (CAZT)** and **Precast Concrete Units* (CFTV)** categories in the Fire Resistance Directory for names of manufacturers.

2. Steel Duct — Nom 24 by 12 in. (610 by 305 mm) (or smaller) by No. 24 gauge (or heavier) galv steel duct. One steel duct to be positioned within the firestop system. The annular space shall be min 0 in. (point contact) to max 2 in. (51 mm). When W Rating applies, the annular space shall be min 1/2 in. (13 mm). Duct to be rigidly supported on both sides of floor or wall assembly.

3. Firestop System — The firestop system shall consist of the following:

A. Packing Material — (not shown). Min 1 in. (25 mm) thick polystyrene board, firmly packed into opening as a permanent form. Packing material to be recessed from bottom or top surface of floor or from one surface of wall to accommodate the required thickness of fill material.

B. Fill, Void, or Cavity Materials* - Sealant — Min 1 in. (25 mm) thickness of fill material applied within the annulus, flush with either the top or bottom surface of floor or one surface of wall. When wall is constructed of concrete blocks, fill material shall be installed within the annular space on both sides of the wall. When the floor is constructed of hollow-core precast concrete units, fill material shall be installed on the bottom side of the floor. At the point contact location between duct and concrete a min 3/8 in. (10 mm) diam bead of fill material shall be applied at the concrete/duct interface on the same side of floor or wall as the sealant in the annular space bottom or top surface of floor or one surface of wall. When W Rating applies if sealant is installed flush with top surface of floor.

RECTORSEAL — FlameSafe® FS900+, **Metacaulk MC 150+**, Biostop BF **150+**

*,+ Indicates such products shall bear the UL or cUL Certification Mark for jurisdictions employing the UL or cUL Certification (such as Canada), respectively.

Reprinted from the Online Certifications Directory with permission from UL. ©UL LLC