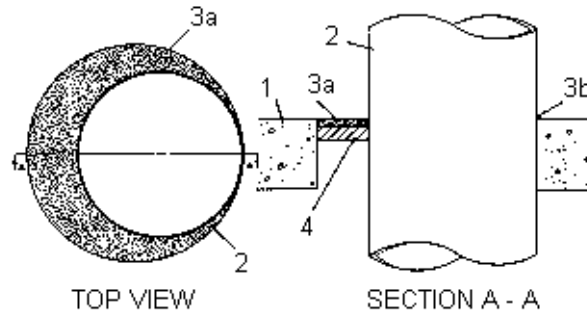


**DESIGN NO. TRC/PH 180-01**  
**HORIZONTAL (FLOOR), F RATING - 3 HRS, T RATING - 15 MINUTES;**  
**ANNULAR SPACING - 0 TO 3-1/4"**  
**TEST PRESSURE DIFFERENTIAL - 2.5 Pa (0.01" OF WATER) MINIMUM**



Manufacturer's Designation: 950 CF-9.

1. Floor: Nominal 4-1/2" thick steel or thicker slab with a 17" diameter opening.
2. Penetrations: 1) 10" I.D. Steel Pipe - Schedule 10S.
3. Caulking Compound or Filler Material:
  - a) 1/2" Metalines, Inc. Metacaulk\* 950.
  - b) Metalines, Inc. Metacaulk 950 Bead. Put a bead of Metacaulk\* 950 around pipe perimeter where there is no annuli.
4. Insulation: Foam Backing Material

\*Component bearing the Warnock Hersey Certification Mark