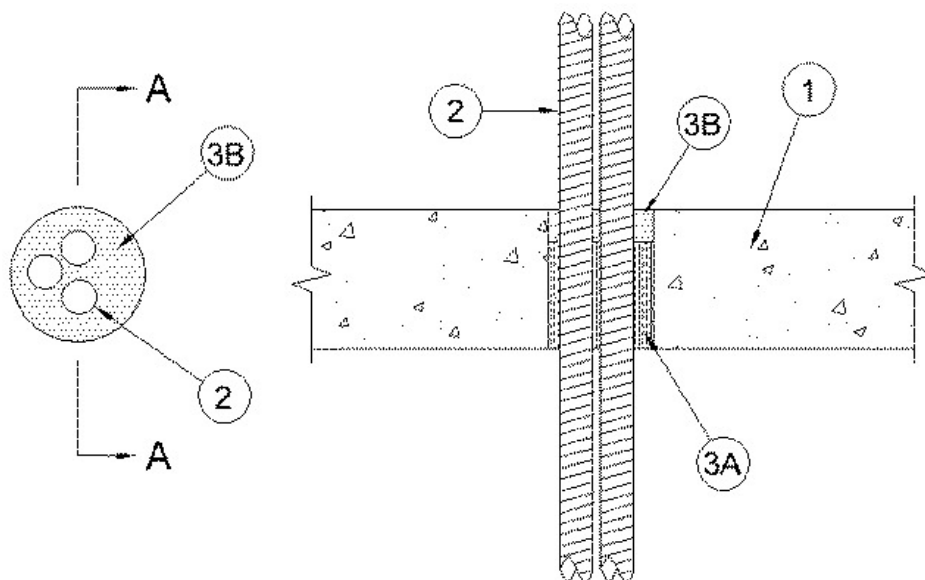


F Rating — 2 Hr
T Rating — 1-1/2 Hr



SECTION A-A

1. **Floor or Wall Assembly** — Min 4-1/2 in. (114 mm) thick reinforced lightweight or normal weight (100~~150~~ pcf or 1600-2400 kg/m³) concrete floor. Min 5-1/2 in. (140 mm) thick reinforced lightweight or normal weight (100~~150~~ pcf or 1600-2400 kg/m³) concrete wall. Wall may also be constructed of any UL Classified **Concrete Blocks***. Max diam of opening is 4 in. (102 mm). See **Concrete Blocks** (CAZT) category in the Fire Resistance Directory for names of manufacturers.

2. **Nonmetallic Pipe** — A max of three nonmetallic penetrants may be installed within the opening. Min separation between nonmetallic penetrants is 1/2 in.(13 mm). The annular space between penetrant and periphery of opening shall be min 5/8 in. (16 mm) to max 1-3/4 in. (44 mm). Penetrants shall be rigidly supported on both sides of floor or wall assembly. Any combination of the following types and sizes of nonmetallic penetrants may be used:

A. **Electrical Nonmetallic Tubing (ENT)+** — Nom 1 in. (25 mm) diam (or smaller) **Electrical Nonmetallic Tubing**. ENT installed in accordance with the National Electrical Code (NFPA No. 70). See **Electrical Nonmetallic Tubing** (FKHU) category in the Electrical Construction Material Directory for names of manufacturers.

B. **Optical Fiber Raceways+** — Nom 1 in. (25 mm) diam (or smaller) **Optical Fiber Raceways**. Optical fiber raceway installed in accordance with the National Electrical Code (NFPA No. 70). See **Optical Fiber Raceway** (QAZM) category in the Electrical Construction Material Directory for names of manufacturers.

3. **Firestop System** — The firestop system shall consist of the following:

A. **Packing Material** — Min 3-1/2 in. (89 mm) thickness of min 4 pcf (64 kg/m³) mineral wool batt insulation firmly packed into opening as a permanent form. Packing material to be recessed from top surface of floor or from either surface of wall to accommodate the required thickness of fill material.

B. **Fill, Void or Cavity Material* - Caulk** — Min 1 in. (25 mm) thickness of fill material applied within the annulus, flush with top surface of floor or with either surface of wall.

RECTORSEAL — [Metacaulk 350i](#)

*,+ Indicates such products shall bear the UL or cUL Certification Mark for jurisdictions employing the UL or cUL Certification (such as Canada), respectively.

Reprinted from the Online Certifications Directory with permission from UL. ©UL LLC