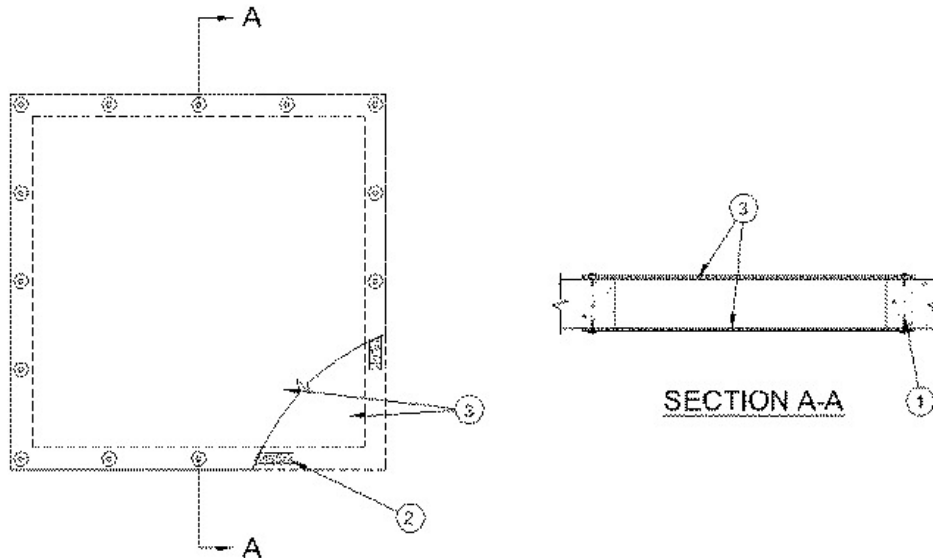


ANSI/UL1479 (ASTM E814)	CAN/ULC S115
F Rating - 2 and 4 Hr (See Item 3)	F Rating - 2 and 4 Hr (See Item 3)
T Rating - 1/2 and 3/4 Hr (See Item 3)	FT Rating - 1/2 and 3/4 Hr (See Item 3)
	FH Rating - 2 and 4 Hr (See Item 3)
	FTH Rating - 1/2 and 3/4 Hr (See Item 3)



1. Floor or Wall Assembly — Lightweight or normal weight (100-150 pcf or 1600-2400 kg/m³) concrete. Min thickness of concrete floor or wall assembly to be 4-1/2 in. (114 mm). Wall may also be constructed of any UL Classified **Concrete Blocks***. Max area of opening **900** sq in. (5806 cm²) with max dimension of 30 in. (762 mm). See **Concrete Blocks** (CAZT) category in the Fire Resistance Directory for names of manufacturers.

2. Fill, Void Or Cavity Materials* — Putty — One layer of 1/2 in. (13 mm) wide by 1/8 in. (3 mm) thick strip of putty positioned under intumescent sheet around entire perimeter of through opening on surface of floor or wall.
RECTORSEAL — [Metacaulk Fire Rated Putty](#)

2A. Fill, Void Or Cavity Materials* — Joint Strip (Not Shown) — As an alternate to Item 2. One layer of min 1/2 in. (13 mm) wide by 1/16 in. (1.6 mm) thick joint strip positioned under intumescent sheet around entire perimeter of through opening on surface of floor or wall.
RECTORSEAL — [Metacaulk Joint Strip](#)

3. Fill, Void Or Cavity Materials* — Composite Sheet — Rigid aluminum foil-faced intumescent sheet with steel backer. Sheets cut to lap a min of 2 in. (51 mm) on the floor or wall surfaces. When sheet is installed on both sides of the floor or wall assembly, F Rating is 4 hr and T Rating is 3/4 hr. As an option, the sheet may be installed on only the top surface of the floor to attain a 2 hr F Rating and 1/2 hr T Rating. Sheet to be installed with the steel backer exposed (aluminum foil facing against floor or wall surface) and secured to floor or wall surface with min 3/16 in. (4.8 mm) diam by 1-1/4 in. (32 mm) long steel anchor screws, in conjunction with min 1-1/4 in. (32 mm) diam steel fender washers. Max spacing of fasteners not to exceed 6 in. (152 mm) on center and max 2 in. (51 mm) from ends.
RECTORSEAL — [Metacaulk Composite Sheet](#)

*,+ Indicates such products shall bear the UL or cUL Certification Mark for jurisdictions employing the UL or cUL Certification (such as Canada), respectively.

Reprinted from the Online Certifications Directory with permission from UL. ©UL LLC