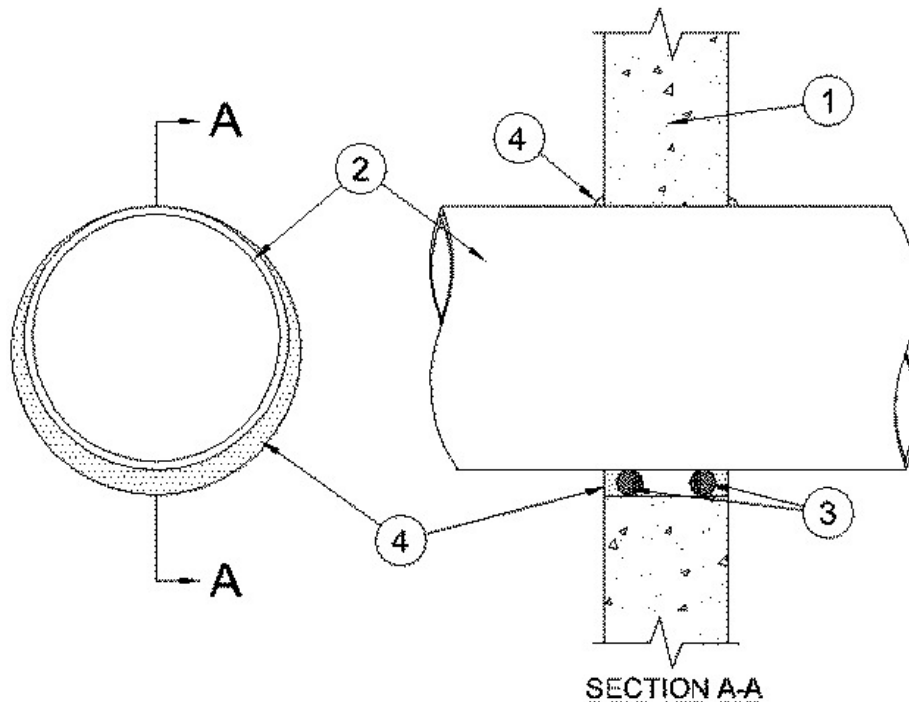


F Rating — 2 Hr
T Rating — 0 Hr



1. **Wall Assembly** — Min 6 in. thick lightweight or normal weight (100-150 pcf) concrete wall assembly. Wall may also be constructed of any UL Classified **Concrete Blocks***. Max diam of opening is 14 in.

See **Concrete Blocks** (CAZT) category in the Fire Resistance Directory for names of manufacturers.

2. **Through Penetrants** — One metallic pipe, conduit or tubing to be installed either concentrically or eccentrically within the firestop system. Pipe, conduit or tubing to be rigidly supported on both sides of floor or wall assembly. The following types and sizes of metallic pipes, conduits or tubing may be used:

A. **Steel Pipe** — Nom 12 in. diam (or smaller) Schedule 10 (or heavier) steel pipe. A nom annular space of 0 (point contact) to 1-1/4 in. is required within the firestop system.

B. **Iron Pipe** — Nom 12 in. diam (or smaller) cast or ductile iron pipe. A nom annular space of 0 (point contact) to 1-1/4 in. is required within the firestop system

C. **Copper Tubing** — Nom 4 in. diam (or smaller) Type L (or heavier) copper tubing. A nom annular space of 0 (point contact) to 1 in. is required within the firestop system.

D. **Copper Pipe** — Nom 4 in. diam (or smaller) Regular (or heavier) copper pipe. A nom annular space of 0 (point contact) to 1 in. is required within the firestop system.

E. **Conduit** — Nom 6 in. (or smaller) steel conduit or or nom 4 in. diam (or smaller) steel electrical metallic conduit A nom annular space of 0 (point contact) to 1 in. is required within the firestop system.

3. **Firestop System** — The firestop system shall consist of the following:

A. **Packing Material** — (Optional) Foam backer rod firmly packed into opening as a permanent form. Packing material to be recessed from each surface of the wall to accomodate the required thickness of fill material.

B. **Fill, Void or Cavity Material* - Caulk** — Min 5/8 in. thickness of fill material applied within the annulus flush with both surfaces of the wall assembly. A min 1/2 in. diam bead of caulk shall be applied to the pipe/concrete interface at the point contact location on both sides of wall.

RECTORSEAL — [MC 150+ Caulk](#)

*,+ Indicates such products shall bear the UL or cUL Certification Mark for jurisdictions employing the UL or cUL Certification (such as Canada), respectively.