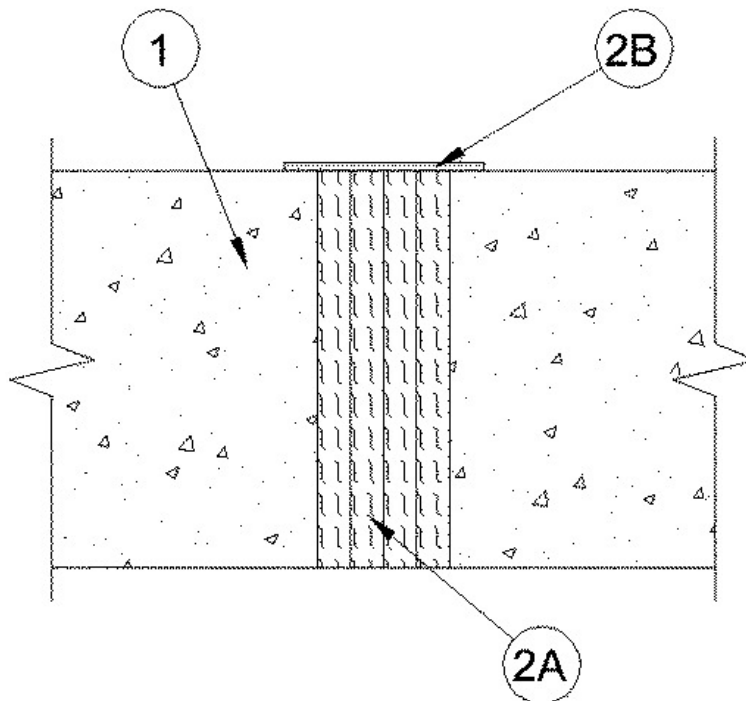


Assembly Rating - 1 Hr
L Rating at Ambient — Less than 1 CFM/Lin Ft
L Rating at 400 F — Less than 1 CFM/Lin Ft
Nominal Joint Width - 2 In.
Class II Movement Capabilities - 12.5% Compression or Extension



1. Floor Assembly — Min 2-1/2 in. (64 mm) thick reinforced lightweight or normal weight (100 -150 pcf or 1600-2400 kg/m³) structural concrete.

2. Joint System — Max width of joint (at time of installation of joint system) is 2 in. (51 mm). The joint system is designed to accommodate a max 12.5 percent compression or extension from it's installed width. The joint system shall consist of the following:

A. Forming Material* — Min 4 pcf (64 kg/m³) mineral wool batt insulation installed in joint opening as a permanent form. Pieces of batt cut to min width of 2-1/2 in. (64 mm) and installed edge-first into joint opening, parallel with joint direction, such that batt sections are compressed min 50 percent in thickness and such that the compressed batt sections are flush with the top surface of the floor. Adjoining lengths of batt to be tightly-butted with butted seams spaced min 24 in. (610 mm) apart along the length of the joint.

B. Fill, Void or Cavity Material* - Spray — Min 1/8 in. (3.2 mm) wet thickness of fill material applied on top surface of floor to completely cover the mineral wool and overlap a min 1/2 in. (13 mm) onto concrete floor on both sides of joint opening.

RECTORSEAL — FlameSafe FS3000, [Metacaulk 1200, 1500](#) or Biostop 750, 800 Spray

*,+ Indicates such products shall bear the UL or cUL Certification Mark for jurisdictions employing the UL or cUL Certification (such as Canada), respectively.

Reprinted from the Online Certifications Directory with permission from UL. ©UL LLC