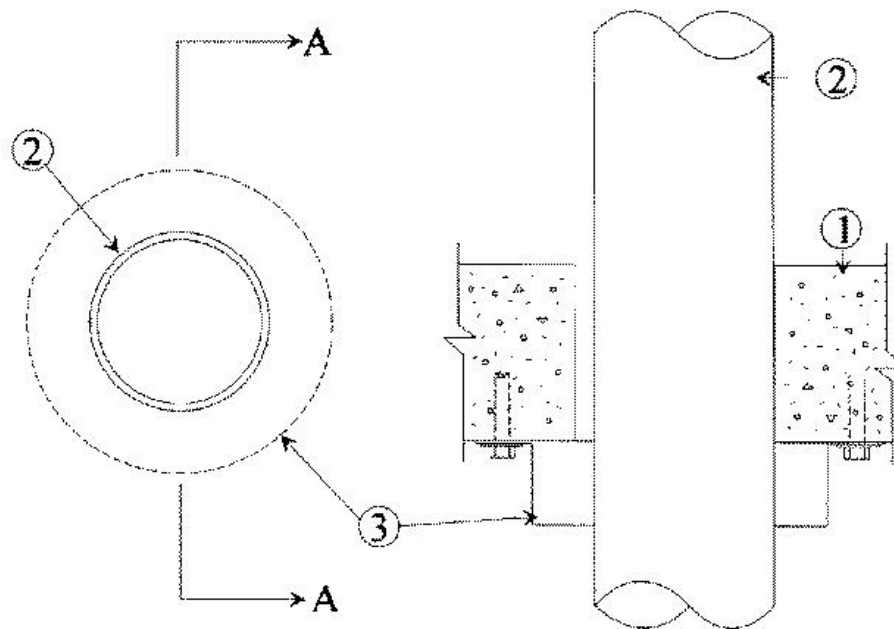


F Ratings — 2 and 3 Hr  
 T Rating — 0 and 3 Hr  
 W Rating - Class 1 (See Item 4)



## SECTION A-A

**1. Floor or Wall Assembly** — Min 4-1/2 in. (114 mm) thick reinforced lightweight or normal weight (100-150 pcf or 1600-2400 kg/m<sup>3</sup>) concrete. Wall may also be constructed of any UL Classified **Concrete Blocks**\*. Floor may also be constructed of any min 6 in. thick UL Classified hollow-core Precast **Concrete Units**\*. Max diam of opening is 7 in. (178 mm). See **Concrete Blocks** (CAZT) and **Precast Concrete Units** (CFTV) categories in the Fire Resistance Directory for names of manufacturers.

**2. Through Penetrants** — One nonmetallic pipe to be installed either concentrically or eccentrically within the firestop system. Pipe to be rigidly supported on both sides of floor or wall assembly. The following types and sizes of nonmetallic pipes may be used:  
**A. Polyvinyl Chloride (PVC or uPVC) Pipe** — Nom 6 in. (152 mm) diam Schedule 40 cellular or solid core PVC or uPVC pipe for use in closed (process or supply) or vented (drain, waste or vent) piping system. The annular space shall be min 0 in. (point contact) to max 3/8 in. (10 mm). When PVC pipe is used, F Rating is 2 hrs and T Rating is 0 hr.

**B. Chlorinated Polyvinyl Chloride (CPVC) Pipe** — Nom 6 in. (152 mm) diam (or smaller) SDR 17 CPVC pipe for use in closed (process or supply) piping systems. When pipe collars are provided on both sides of a wall, SDR 17 CPVC pipe may also be used in vented (drain, waste or vent) piping systems. The annular space shall be min 0 in. (point contact) to max 3/8 in. (10 mm). When CPVC pipe is used, F Rating is 2 hrs and T Rating is 0 hr.

**C. Acrylonitrile Butadiene Styrene (ABS) Pipe** — Nom 6 in. (152 mm) diam Schedule 40 cellular or solid core ABS pipe for use in closed (process or supply) or vented (drain, waste or vent) piping systems. The annular space shall be min 0 in. (point contact) to max 3/8 in. (10 mm). When ABS pipe is used, F Rating is 2 hrs and T Rating is 0 hr.

**D. Flame Retardant Polypropylene (FRPP) Pipe** — Nom 6 in. (152 mm) diam Schedule 40 FRPP pipe for use in closed (process or supply) or vented (drain, waste or vent) piping systems. The annular space shall be nom 3/16 in. (4.8 mm). When FRPP pipe is used, F and T Ratings are 3 hr.

**3. Firestop Device\*** — Galv steel collar lined with an intumescent material sized to fit specific diam of the through penetrant. Device to be installed around the through penetrant in accordance with accompanying installation instructions. Device incorporates anchor tabs for securement to underside of the concrete floor by means of 1/4 in. (6 mm) diam by 1-1/4 in. (32 mm) long steel expansion bolts in conjunction with min 3/4 in. (19 mm) diam washers. Device secured at each tab. In walls, collars are installed on each side of wall.  
**RECTORSEAL** — [Metacaulk Pipe Collar](#), Biostop Pipe Collar or FlameSafe Pipe Collar

**4. Fill, Void or Cavity Materials\*** — **Caulk** — (Optional — Not Shown) Min 1/4 in. (6 mm) thickness of fill material applied within the annulus, flush with the bottom surface of floor or with both surfaces of wall.  
**RECTORSEAL** — [Metacaulk 1200](#), Biostop 750 or FlameSafe FS3000



---

W-Rating only applies when Biostop 750 is used.

\* Indicates such products shall bear the UL or cUL Certification Mark for jurisdictions employing the UL or cUL Certification (such as Canada), respectively.