

CAN/ULC S115

Assembly Rating— 2 Hr

F Rating — 2 Hr

Nominal Joint Width— 4 In.

FT Rating — 2 Hr

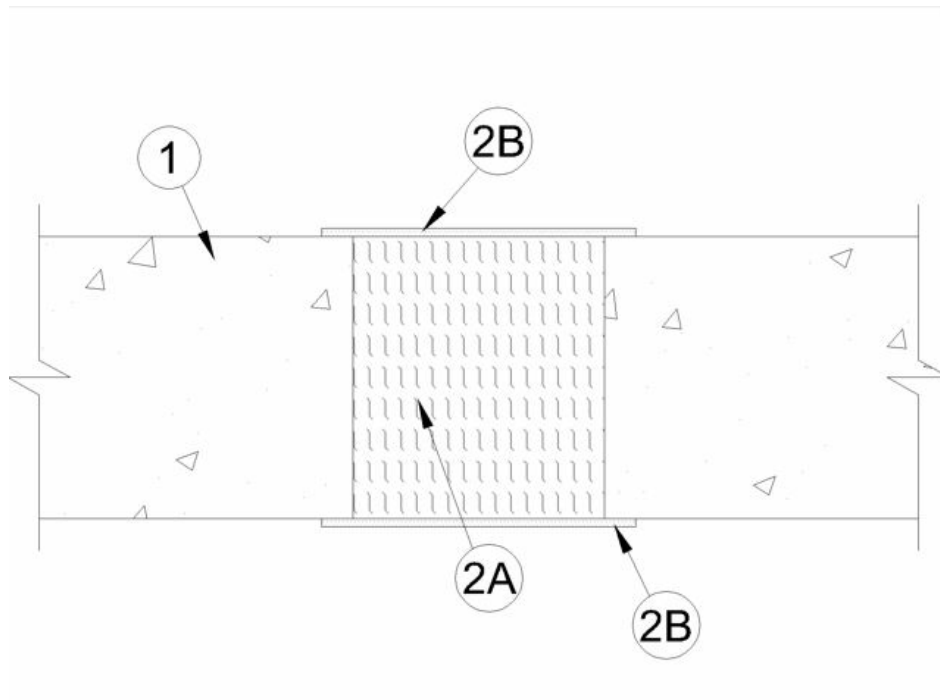
Class II Movement Capabilities — 15% Compression or Extension

FH Rating — 2 Hr

FTH Rating — 2 Hr

Nominal Joint Width— 102 mm.

Class II Movement Capabilities —15% Compression or Extension



1. Wall Assembly — Min 4-1/2 in. (114 mm) thick reinforced lightweight or normal weight (100-150 pcf or 1600-2400 kg/m³) structural concrete. Wall may also be constructed of any UL Classified **Concrete Blocks***.

See **Concrete Blocks** (CAZT) category in the Fire Resistance Directory for names of manufacturers.

2. Joint System — Max width of joint (at time of installation of joint system) is 4 in. (102mm). The joint system is designed to accommodate a max 15 percent compression or extension from its installed width. The joint system shall consist of the following:

A. Forming Material* — Min 4 pcf (64 kg/m³) mineral wool batt insulation installed in joint opening as a permanent form. Pieces of batt cut to min width of 4-1/2 in. (114 mm) and installed edge-first into joint opening, parallel with joint direction, such that batt sections are compressed min 50 percent in thickness and that the compressed batt sections are recessed from each surface of

the wall as required to accommodate the required thickness of fill material. Adjoining lengths of batt to be tightly-butted with butted seams spaced min 24 in. (610mm) apart along the length of the joint.

See Forming Material (XHKU) category in the Fire Resistance Directory for names of manufacturers.

B. Fill, Void or Cavity Material*- Sealant — Min 1/8 in. (3.2 mm) wet thickness fill material sprayed or troweled on each side of the wall to completely cover forming material (Item 3A). Material to overlap a min of 1/2 in. (13 mm) onto wall on both sides of wall. As an alternate, min 1/4 in. (6 mm) thickness of fill material sprayed or troweled on each side of the wall to completely cover forming material (Item 3A) flush on both sides of wall.

RECTORSEAL — [Metacaulk 150+](#), [Metacaulk 1000](#), [Metacaulk 1200](#) or [Metacaulk 1200](#) spray

*,+ Indicates such products shall bear the UL or cUL Certification Mark for jurisdictions employing the UL or cUL Certification (such as Canada), respectively.

Reprinted from the Online Certifications Directory with permission from UL. ©UL LLC