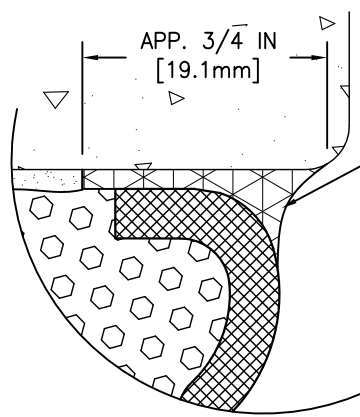
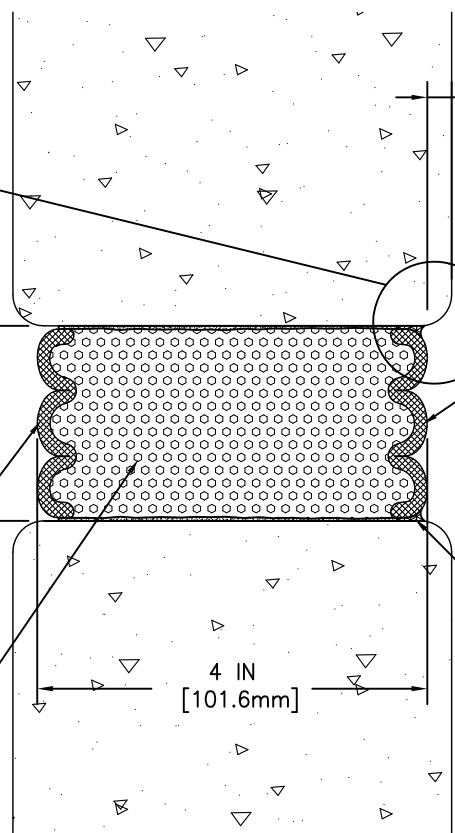




System # WW-D-()
 System # ()
 UL CERTIFICATION
 VARIES WITH NOMINAL
 MATERIAL SIZE



FIELD-APPLIED POLYURETHANE SEALANT BAND AND
 CORNER BEADS FORCED DOWN ALONG SIDE
 OF EMSHIELD SSW2 AS SHOWN - BOTH SIDES
 (POLYURETHANE SUPPLIED BY EMSEAL)



FACTORY-APPLIED POLYURETHANE FACING
 (NUMBER OF BELLOWS VARIES WITH
 NOMINAL MATERIAL SIZE)

FACTORY-APPLIED POLYURETHANE FACING
 (NUMBER OF BELLOWS VARIES WITH
 NOMINAL MATERIAL SIZE)

EPOXY ADHESIVE
 BOTH SIDES

EMSHIELD SSW2
 FIRE-RETARDANT
 IMPREGNATED FOAM

MOVEMENT: ±50% (TOTAL 100%) OF NOMINAL MATERIAL SIZE

EMSEAL JOINT SYSTEMS LTD.

EMSHIELD SSW2 - WALL TO WALL - TYPICAL

THIS DOCUMENT CONTAINS INFORMATION OF A CONFIDENTIAL NATURE AND IS
 PROPRIETARY TO EMSEAL JOINT SYSTEMS LTD. ANY UNAUTHORIZED USE WILL
 BE PROSECUTED. THIS DRAWING IS PROTECTED BY COPYRIGHT, THE RIGHT TO
 REPRODUCE IN ANY FORM BEING THE EXCLUSIVE RIGHT OF EMSEAL JOINT
 SYSTEMS LTD. ANY UNAUTHORIZED REPRODUCTION WHETHER IN TWO OR THREE
 DIMENSIONS WILL BE PROSECUTED. © 2014 EMSEAL JOINT SYSTEMS LTD.

DRAWN BY: SPA	DATE: 2016/06/29	SCALE: N.T.S.	SHEET No: 1 OF 1
------------------	---------------------	------------------	---------------------

PART NUMBER:
SSW2_WW_CONC_TYPICAL