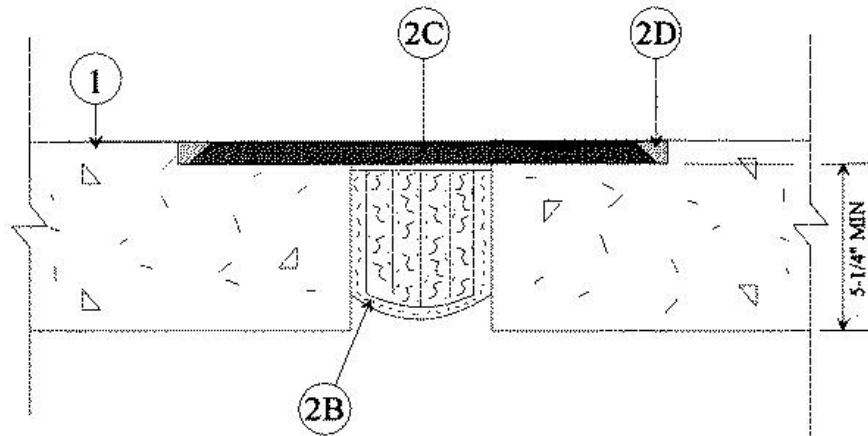


Assembly Rating — 2 Hr
Joint Width — 4 In. Max



1. Floor Assembly — Reinforced lightweight or normal weight (100-150 pcf) structural concrete having a min thickness of 5-1/4 in. at stepped-edges receiving Fill, Void or Cavity Material (Item 2C).

2. Joint System — Max width of joint is 4 in. The joint system shall consist of the following:

A. Fill, Void or Cavity Material* — (Not Shown) — Prior to the installation of the forming material (Item 2B), a nom 1/2 in. bead of caulk is applied along the edges of the joint, 2 in. below the top surface of the floor.

RECTORSEAL — [Metacaulk 950](#)

B. Forming Material* — A nom 14 in. width of forming material shall be folded in half and firmly packed into opening as a permanent form. Forming material to be recessed 1-1/4 in. from top surface of floor. See manufacturers installation instructions for size and configuration of forming material.

BACKER ROD MFG INC — ULTRA BLOCK ®

C. Fill, Void or Cavity Material* — Prior to the installation of the premold into the joint, the stepped-surface of the concrete floor shall be treated with 2 component LymTal International, Inc. Primer 10 in accordance with the installation instructions accompanying the primer. Premold, max 12 in. wide min 3/4 in. deep, centered in the joint, such that it is spaced 1/2 in. from each stepped edge of the concrete floor. When installed, the premold shall be flush with the top surface of the concrete floor.

LYMTAL INTERNATIONAL INC — ISO-Flex 880 Premold

D. Fill, Void or Cavity Material* — Min 3/4 in. thickness of fill material applied within the joint, flush with top surface of floor.

LYMTAL INTERNATIONAL INC — ISO-Flex 980 Nosing

*,+ Indicates such products shall bear the UL or cUL Certification Mark for jurisdictions employing the UL or cUL Certification (such as Canada), respectively.

Reprinted from the Online Certifications Directory with permission from UL. ©UL LLC