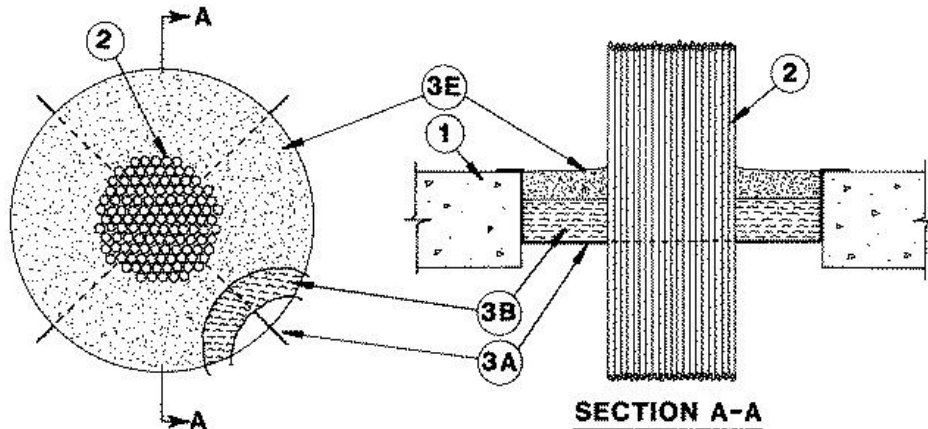


ANSI/UL1479 (ASTM E814)	CAN/ULC S115
F Rating — 3 Hr	F Rating — 3 Hr
T Rating — 0 Hr	FT Rating — 0 Hr
	FH Rating — 3 Hr
	FTH Rating — 0 Hr



1. **Floor or Wall Assembly** — Min 4-1/2 in. (114 mm) thick reinforced lightweight or normal weight (100-150 pcf or 1600-2400 kg/m³) concrete. Wall may also be constructed of any UL Classified **Concrete Blocks***. Max diam of opening is 15 in. (381 mm). See **Concrete Blocks** (CAZT) category in the Fire Resistance Directory for names of manufacturers.
2. **Cables** — Aggregate cross-sectional area of cables in opening to be max 11 percent of the aggregate cross-sectional area of the opening. The cable bundle shall be centered in opening. A min 4-1/2 in. (114 mm) annular space is required between the cable bundle and the periphery of the opening. Cable bundle to be rigidly supported on both sides of floor or wall assembly. Any combination of the following types and sizes of copper conductor cables may be used:
 - A. Max 50 pair No. 24 AWG telephone cable with polyvinyl chloride (PVC) insulation and jacket.
 - B. Max 7/C No. 12 AWG cable with a PVC-nylon insulation and PVC jacket.
3. **Firestop System** — The firestop system shall consist of the following:
 - A. **Wire Hangers** — Two No. 9 gauge steel wire bent in a U-shaped hanger and placed in the opening one over the other to form an "X" design.
 - B. **Packing Material** — Min 2 in. (51 mm) thickness of min 4 pcf (64 kg/m³) wool batt insulation firmly packed into opening as a permanent form. Packing material to be recessed from top surface of floor or from both surfaces of wall as required to accommodate the required thickness of fill material.
 - C. **Sealing Material** — (Not Shown) — Mineral wool fiber material firmly packed in openings between cable bundles and forming material to prevent the leakage of fill material while in the liquid state.
 - D. **Fill, Void or Cavity Material* — Caulk** — (Not Shown) — Caulk material applied between cables, packing material and sealing material to prevent the leakage of the mastic coating (Item 3E) while in the liquid state. Min thickness shall be 1-1/4 in. (32 mm).
RECTORSEAL — Type FS929
 - E. **Fill, Void or Cavity Material* — Sealant** — Min 1 in. (25 mm) thickness of fill material applied within annulus, flush with top surface of floor or with both surfaces of wall. If cracking occurs after the fill material cures, the cracks shall be sealed with sealant.
RECTORSEAL — Types FS900, FS901, FS903, FS903CG, FS905, FS905CG, FST901, FST903, FST905, [Metacaulk 150+](#)

*,+ Indicates such products shall bear the UL or cUL Certification Mark for jurisdictions employing the UL or cUL Certification (such as Canada), respectively.