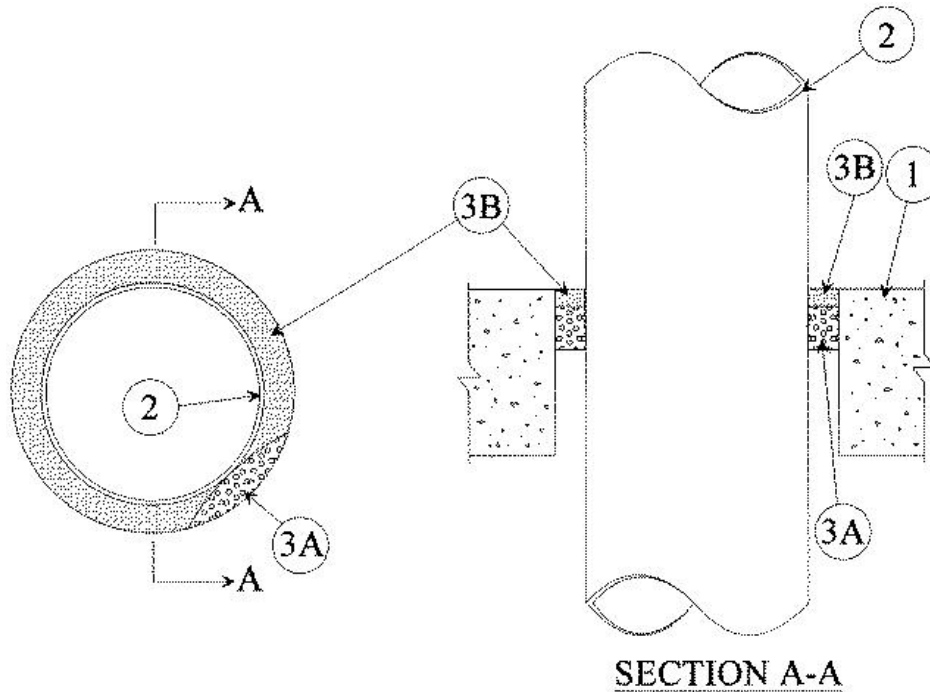


**F Rating — 2 Hr**  
**T Rating — 0 Hr**



**1. Floor or Wall Assembly** — Min 4-1/2 in. thick reinforced lightweight or normal weight (100-150 pcf) concrete. Wall may also be constructed of any UL Classified **Concrete Blocks\***. Floor may also be constructed of any min 6 in. thick UL Classified hollow-core **Precast Concrete Units\***. Max diam of opening in solid lightweight or normal weight concrete floor or wall is 13-3/4 in. Max diam of opening in hollow-core precast concrete unit floor is 7 in. See **Concrete Blocks** (CAZT) and **Precast Concrete Units** (CFTV) categories in the Fire Resistance Directory for names of manufacturers.

**2. Through Penetrants** — One metallic pipe, conduit or tubing to be installed either concentrically or eccentrically within the firestop system. Pipe, conduit or tubing to be rigidly supported on both sides of floor or wall assembly. The annular space shall be min 0 in. to max 1/2 in. The following types and sizes of metallic pipes, conduits or tubing may be used:

- A. **Steel Pipe** — Nom 12 in. diam (or smaller) Schedule 10 (or heavier) steel pipe.
- B. **Iron Pipe** — Nom 12 in. diam (or smaller) cast or ductile iron pipe.
- C. **Conduit** — Nom 6 in. diam (or smaller) steel electrical metallic tubing or steel conduit.
- D. **Copper Tubing** — Nom 6 in. diam (or smaller) Type L (or heavier) copper tubing.
- E. **Copper Pipe** — Nom 6 in. diam (or smaller) Regular (or heavier) copper pipe.

**3. Firestop System** — The firestop system shall consist of the following:

A. **Packing Material** — (Optional) — Foam backer rod firmly packed into opening as a permanent form. Packing material to be recessed from top surface of solid concrete floor, or from both surfaces of wall or hollow-core floor as required to accommodate the required thickness of fill material.

B. **Fill, Void or Cavity Material\* — Caulk** — Min 1/2 in. thickness of fill material applied within the annulus, flush with top surface of solid concrete floor, or with both surfaces of wall or hollow-core floor.

**RECTORSEAL** — [Metacaulk 950](#)

\*,+ Indicates such products shall bear the UL or cUL Certification Mark for jurisdictions employing the UL or cUL Certification (such as Canada), respectively.

Reprinted from the Online Certifications Directory with permission from UL. ©UL LLC