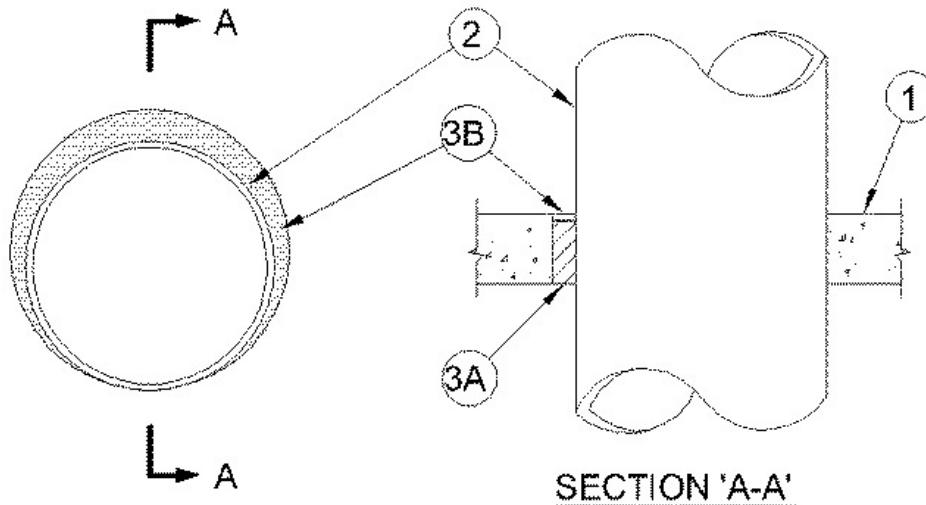


ANSI/UL1479 (ASTM E814)	CAN/ULC S115
F Rating - 3 Hr	F Rating - 3 Hr
T Rating - 0 Hr	FT Rating - 0 Hr
L Rating At Ambient — Less Than 1 CFM/ft ²	FH Rating - 3 Hr
L Rating At 400°F — Less Than 1 CFM/ft ²	FTH Rating - 0 Hr
W Rating - Class 1 (See Item 2)	L Rating At Ambient - Less Than 5.1 L/s/m ²
	L Rating At 204°C - Less Than 5.1 L/s/m ²



1. Floor or Wall Assembly — Min 4-1/2 in. (114 mm) thick floor or 5 in. (127 mm) thick wall of reinforced lightweight or normal weight (100-150 pcf or 1600-2400 kg/m³) concrete. Wall may also be constructed of any UL Classified **Concrete Blocks***. Max diam of opening is 28 in. (711 mm).

See **Concrete Blocks** (CAZT) category in the Fire Resistance Directory for names of manufacturers.

2. Steel Duct — Nom 24 in. (610 mm) diam (or smaller) No. 22 gauge (or heavier) steel HVAC duct to be installed either concentrically or eccentrically within the firestop system. The annular space between duct and periphery of opening shall be min 0 in (point contact) to max 4 in. (102 mm). When W Rating applies, the annular space shall be min 1/2 in. (13 mm). Duct to be rigidly supported on both sides of floor or wall assembly.

3. Firestop System — The firestop system shall consist of the following;

A. Packing Material — Min 4 in. (102 mm) thickness of min 4 pcf (64 kg/m³) mineral wool batt insulation firmly packed into opening as a permanent form. Packing material to be recessed from top surface of floor or from both surfaces of wall to accommodate the required thickness of fill material.

B. Fill, Void or Cavity Material* - Sealant — Min 1/2 in. (13 mm) thickness of fill material applied within the annulus, flush with top surface of floor or with both surfaces of wall. Additional fill material installed to form a min 1/4 in. (6 mm) bead at the point of contact of the duct and periphery of the opening on the top floor surface or both wall surfaces.

RECTORSEAL — FlameSafe® FS900+ Sealant, **Metacaulk MC 150+**, Biostop BF **150+**

*,+ Indicates such products shall bear the UL or cUL Certification Mark for jurisdictions employing the UL or cUL Certification (such as Canada), respectively.

Reprinted from the Online Certifications Directory with permission from UL. ©UL LLC