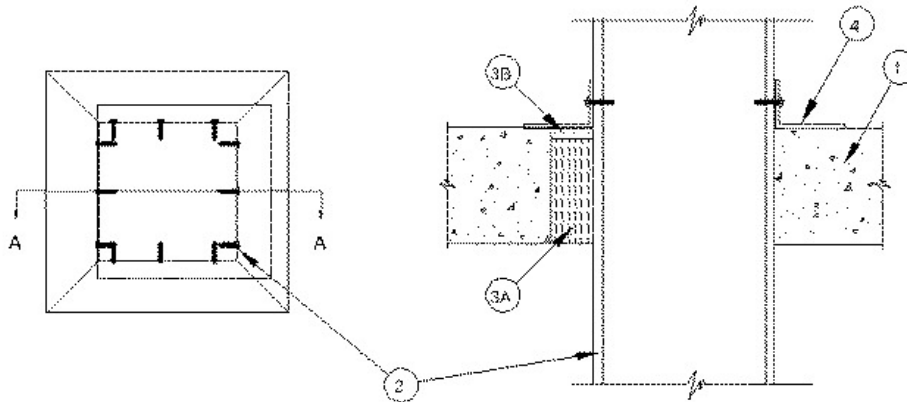


ANSI/UL1479 (ASTM E814)	CAN/ULC S115
F Ratings - 3 Hr	F Ratings - 3 Hr
T Ratings - 0 Hr	FT Ratings - 0 Hr
L Rating At Ambient — Less Than 1 CFM/ft ²	FH Ratings - 3 Hr
L Rating At 400 F — 1 CFM/ft ²	FTH Ratings - 0 Hr
W Rating - Class 1 (See Items 2 and 3B)	L Rating At Ambient - Less Than 5.1 L/s/m ²
	L Rating At 204°C- Less Than 5.1 L/s/m ²



Section A-A

1. Floor or Wall Assembly — Min 4-1/2 in. (114 mm) thick reinforced lightweight or normal weight (100~~150~~ pcf or 1600-2400 kg/m³) concrete. Wall may also be constructed of any UL Classified **Concrete Blocks***. Max area of opening is 7.1 sq ft (0.66 m²) with max dimension of 32 in. (813 mm).

See **Concrete Blocks** (CAZT) category in the Fire Resistance Directory for names of manufacturers.

2. Steel Duct — Max 30 by 30 in. (762 by 762 mm) by No. 24 gauge (or heavier) galv steel duct. One steel duct to be positioned within the firestop system. The annular space shall be min 0 in. (point contact) to max 2 in. (51 mm). When W Rating applies, the annular space shall be min 1/2 in. (13 mm). Duct to be rigidly supported on both sides of floor or wall assembly.

3. Firestop System — The firestop system shall consist of the following:

A. Packing Material — Min 4 in. (102 mm) thickness of min pcf (64 kg/m³) mineral wool batt insulation firmly packed into opening as a permanent form. Packing material to be recessed from top surface of floor or from both surfaces of wall as required to accommodate the required thickness of fill material.

B. Fill, Void or Cavity Material* — Spray or Caulk — Min 1/8 in. (3 mm) wet thickness (min 1/16 in. or 1.6 mm dry thickness) of fill material applied within the annulus, flush with top surface of floor or with both surfaces of wall. When W Rating applies, spray shall be applied with a min 3/8 in. dry thickness.

RECTORSEAL — [Metacaulk 1200](#) Spray, [Metacaulk 1200 Caulk Grade](#), [Metacaulk 1200](#) SL (floors only), [Metacaulk MC 150+](#) or [Metacaulk 1000](#).

W Rating applies only when [Metacaulk MC 150+](#) or [Metacaulk 1000](#) is used.

4. Steel Retaining Angle — Nom 2 by 4 in. (51 by 102 mm) by No. 22 gauge (or heavier) steel angles attached to steel duct on all four sides on the top surface of floor or both surfaces of wall. The angles shall be attached to the duct with No. 8 (or larger) steel sheet metal screws spaced max of 2 in. (51 mm) OC along any edge having an annular space of 0 in. (0 mm, point contact), and 4-1/2 in. (114 mm) OC elsewhere.

*,+ Indicates such products shall bear the UL or cUL Certification Mark for jurisdictions employing the UL or cUL Certification (such as Canada), respectively.

Reprinted from the Online Certifications Directory with permission from UL. ©UL LLC