



# BXUV.S750

## Design/System/Construction/Assembly Usage Disclaimer

- Authorities Having Jurisdiction should be consulted in all cases as to the particular requirements covering the installation and use of UL Certified products, equipment, system, devices, and materials.
- Authorities Having Jurisdiction should be consulted before construction.
- Fire resistance assemblies and products are developed by the design submitter and have been investigated by UL for compliance with applicable requirements. The published information cannot always address every construction nuance encountered in the field.
- When field issues arise, it is recommended the first contact for assistance be the technical service staff provided by the product manufacturer noted for the design. Users of fire resistance assemblies are advised to consult the general Guide Information for each product category and each group of assemblies. The Guide Information includes specifics concerning alternate materials and alternate methods of construction.
- Only products which bear UL's Mark are considered Certified.

BXUV - Fire Resistance Ratings - ANSI/UL 263 Certified for United States

BXUV7 - Fire Resistance Ratings - CAN/ULC-S101 Certified for Canada

See General Information for Fire-resistance Ratings - ANSI/UL 263 Certified for United States Design Criteria and Allowable Variances

See General Information for Fire Resistance Ratings - CAN/ULC-S101 Certified for Canada Design Criteria and Allowable Variances

## Design No. S750

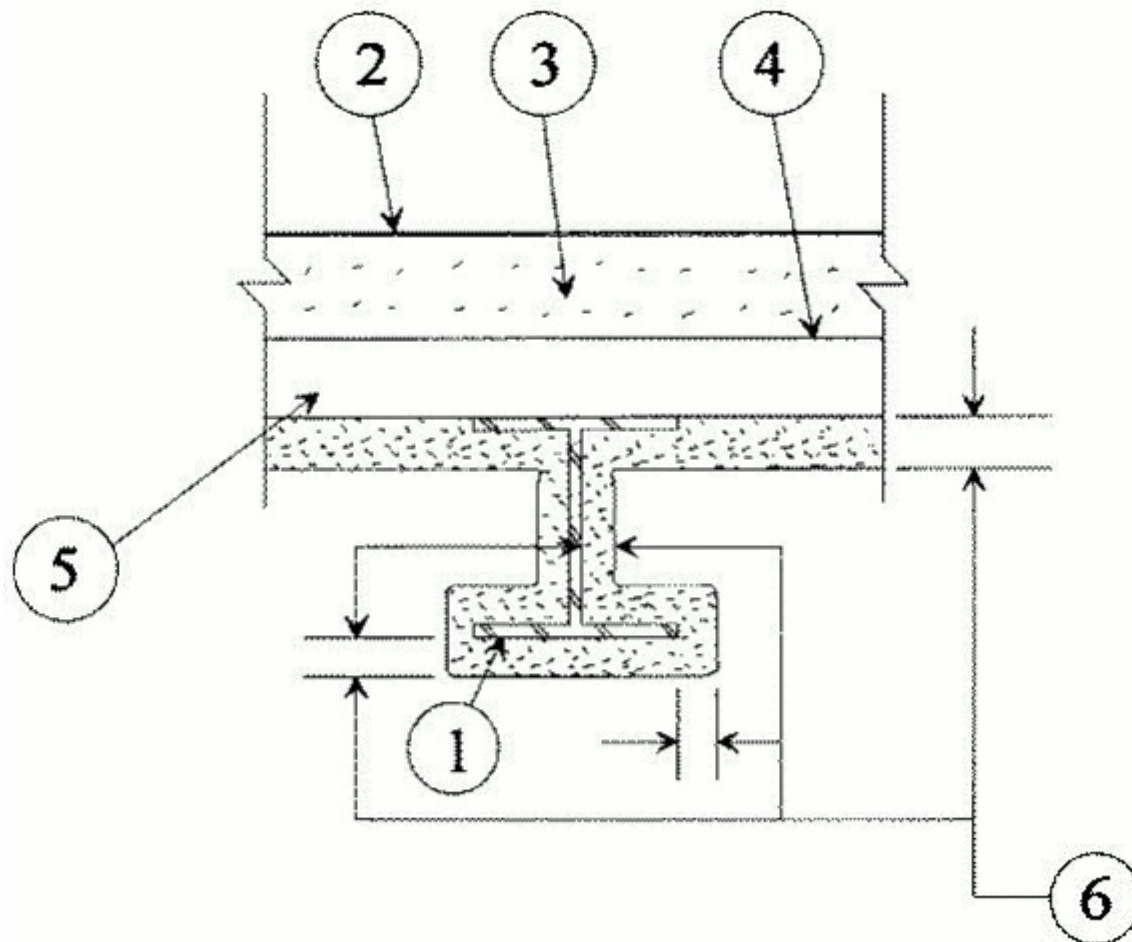
May 10, 2017

**Restrained Beam Ratings — 1, 1-1/2, 2 and 3 Hr**

**Unrestrained Beam Ratings — 1, 1-1/2, 2 and 3 Hr**

**Loading Determined by Allowable Stress Design Method or Load and Resistance Factor Design Method published by the American Institute of Steel Construction, or in accordance with the relevant Limit State Design provisions of Part 4 of the National Building Code of Canada**

**\* Indicates such products shall bear the UL or cUL Certification Mark for jurisdictions employing the UL or cUL Certification (such as Canada), respectively.**



1. **Steel Beam** — W8x28 min size.

2. **Roof Covering\*** — Consisting of hot mopped, cold application or single-ply materials, compatible with insulation(s) described herein which provide Class A, B or C coverings. See Roofing Materials and Systems Directory-Roof Covering Materials (TEVT).

3. **Roof Insulation\*** — Consisting of building units, foamed plastic or mineral and fiber boards, applied in one or more layers. When multiple layers are used, end and side joints shall be offset a min of 12 in. in both directions in order to lap all joints. See category for names of companies providing Classified products — Building Units (BZXX), Foamed Plastic (CCVW) or Mineral and Fiber Boards (CERZ). Roof insulation shall be compatible with roof covering materials Class A, B or C system. See Roofing Materials and Systems Directory-Roof Covering Materials (TEVT).

4. **Adhesive** — (Optional) — May be applied to steel roof deck units or between insulation layers at a max application rate of 0.4 gal/100 sq ft. See Adhesives (BYWR) category for names of manufacturers.

5. **Steel Roof Deck** — (Unclassified) — Fluted, No. 22 MSG min galv 1-1/2 in. deep with 3-1/2 in. wide flutes spaced 6 in. OC. Ends overlapped a min 1-1/2 in. and welded to supports, 12 in. OC max. Adjacent units button-punched, welded or fastened with No. 12 by 1/2 in. long self-drilling, self-tapping steel screws.

6. **Spray-Applied Fire Resistive Materials\*** — Applied by mixing with water and spraying in more than one coat to the beam to the final thicknesses shown below. Crest areas shall be filled with Spray-Applied Fire Resistive Materials above the beam. Beam surfaces must be clean and free of dirt, loose scale and oil. Min average and min ind. density of 15/14 pcf respectively. Min avg and min ind density of 22/19 pcf respectively for Types Z-106, Z-106/HY, Z-106/G. Min avg and min ind density of 40/36 pcf respectively for Types Z-146, Z-146PC and Z-146T cementitious mixture. Min avg and min ind density of 50/45 pcf respectively for Types Z-156, Z-156T and Z-156PC. For method of density determination, see Design Information Section.

### Min Spray-Applied Fire Resistive Materials Thickness In.

Rating Hr	Restrained Beam	Unrestrained Beam	Deck
1	3/8	3/8	9/16
1-1/2	9/16	11/16	7/8
2	7/8	1	1-5/8
3	1-1/2	1-5/8	1-7/8

The thicknesses of Spray-Applied Fire Resistive Materials shown in the table below are applicable when the thickness applied to the beams' lower flange edges is reduced by one-half.

Rating (Hr)	Restrained Beam	Unrestrained Beam
1	1/2	1/2
1-1/2	3/4	7/8
2	1-1/8	1-1/4
3	1-7/8	2-1/16

**ARABIAN VERMICULITE INDUSTRIES** — Types MK-6/HY, MK-6/HY Extended Set, MK-10 HB, MK-10 HB Extended Set, MK-6/HB, MK-6s, MK-6 GF, MK-6 GF Extended Set, MK-1000/HB, MK-1000/HB Extended Set, Z-106, Z-106/G, Z-146 investigated for exterior use.

**GCP KOREA INC** — Types MK-6/HY, MK-6/HY Extended Set, MK-10 HB, MK-10 HB Extended Set, MK-6/HB, MK-6s, MK-6 GF, MK-6 GF Extended Set, MK-1000/HB, MK-1000/HB Extended Set, Z-106, Z-106/G, Z-106/HY, Z-146 investigated for exterior use.

**GCP APPLIED TECHNOLOGIES INC** — Types MK-6/HY, MK-6/HY Extended Set, MK-10 HB, MK-10 HB Extended Set, MK-6/HB, MK-6s, MK-6 GF, MK-6 GF Extended Set, MK-1000/HB, MK-1000/HB Extended Set, RG, Z-106, Z-106/G, Z-106/HY, Z-146, Z-146T, Z146PC, Z-156, Z-156T and Z-156PC investigated for exterior use.

**7. Metal Lath (Not shown)** — Metal lath shall be used when applying Type Z-146, Z-146T, Z146PC, Z-156, Z-156T and Z-156PC material to the underside of the steel deck. The metal lath shall be 3/8 in. expanded diamond mesh, weighing 1.7 lb per sq yd. secured to underside of steel deck with No. 12 by 3/8 in. pan head self-drilling, self-tapping steel screws and steel washers with an outside diam of 1/2 in. Screws spaced 12 in. OC in both directions with lath edges overlapped approximately 3 in.

**\* Indicates such products shall bear the UL or cUL Certification Mark for jurisdictions employing the UL or cUL Certification (such as Canada), respectively.**

Last Updated on 2017-05-10

The appearance of a company's name or product in this database does not in itself assure that products so identified have been manufactured under UL's Follow-Up Service. Only those products bearing the UL Mark should be considered to be Certified and covered under UL's Follow-Up Service. Always look for the Mark on the product.

UL permits the reproduction of the material contained in the Online Certification Directory subject to the following conditions: 1. The Guide Information, Assemblies, Constructions, Designs, Systems, and/or Certifications (files) must be presented in their entirety and in a non-misleading manner, without any manipulation of the data (or drawings). 2. The statement "Reprinted from the Online Certifications Directory with permission from UL" must appear adjacent to the extracted material. In addition, the reprinted material must include a copyright notice in the following format: "© 2020 UL LLC"