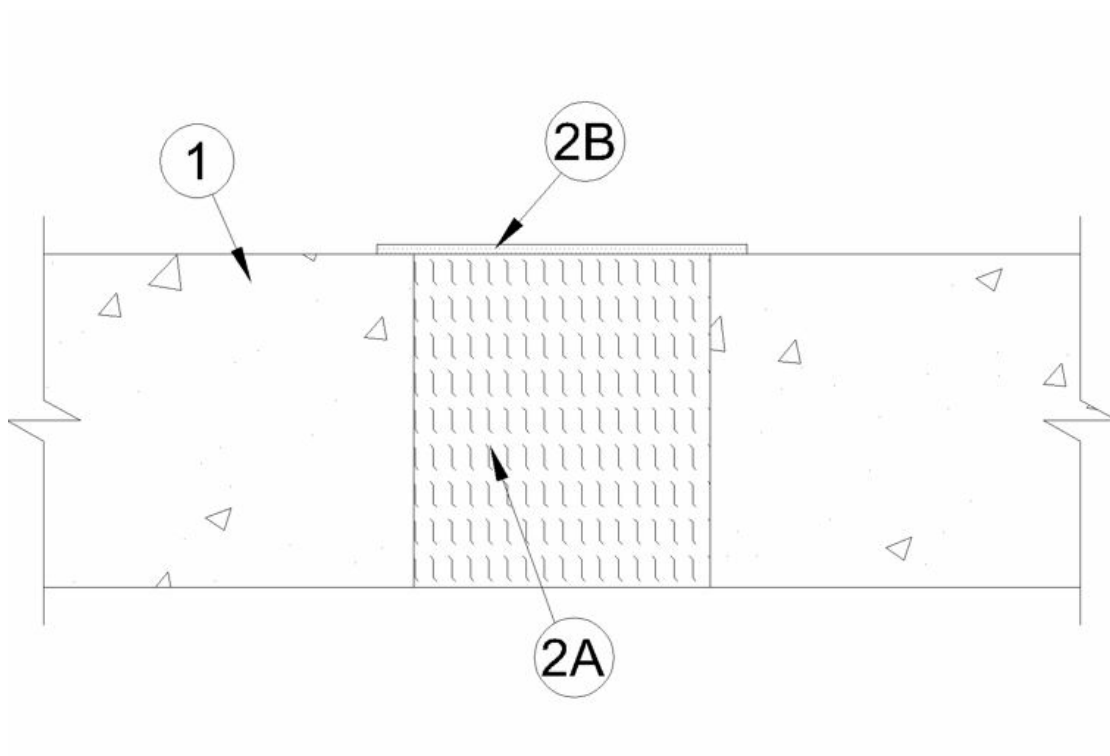


December 8, 2023

ANSI/UL2079	CAN/ULC S115
Assembly Rating—2 Hr	F Rating — 2 Hr
Nominal Joint Width— 3-1/2 In.	FT Rating — 2 Hr
Class II Movement Capabilities — 25% Compression or Extension	FH Rating — 2 Hr
	FTH Rating — 2 Hr
	Nominal Joint Width— 3-1/2 In.
	Class II Movement Capabilities —25% Compression or Extension



1. Floor Assembly — Min 4-1/2 in. (114 mm) thick reinforced lightweight or normal weight (100-150 pcf or 1600-2400 kg/m³) structural concrete.

2. Joint System — Max width of joint at time of installation of joint system is 3-1/2 in. (89 mm). The joint system is designed to accommodate a max 25 percent compression or extension from its installed width. The joint system shall consist of the following:

A. Forming Material* — Min 4 pcf (64 kg/m³) density mineral wool batt insulation installed in joint opening as a permanent form. Pieces of batt cut to a min width of 4-1/2 in. (114 mm) and installed edge-first into joint opening, parallel with joint direction, such that batts sections are compressed min 25 percent in thickness and such that the compressed batt sections are flush with the top surface of floor. Adjoining lengths of batt to be tightly-butted with butted seams spaced min 24 in. (610 mm) apart along the length of the joint.

See Forming Material (XHKU) category in the Fire Resistance Directory for names of manufacturers.

B. Fill, Void or Cavity Material* — Min 1/8 in. (3.2 mm) wet thickness fill material sprayed or troweled into joint to completely cover forming material (Item 3A). Material to overlap a min of 1/2 in. (13 mm) onto floor. As an alternate, min 1/4 in. (6 mm) thickness of fill material sprayed or troweled into joint completely cover forming material (Item 3A) flush with top surface of floor.

RECTORSEAL — [Metacaulk 150+](#), [Metacaulk 1000](#), [Metacaulk 1200](#) or [Metacaulk 1200](#) spray

*,+ Indicates such products shall bear the UL or cUL Certification Mark for jurisdictions employing the UL or cUL Certification (such as Canada), respectively.

Reprinted from the Online Certifications Directory with permission from UL. ©UL LLC