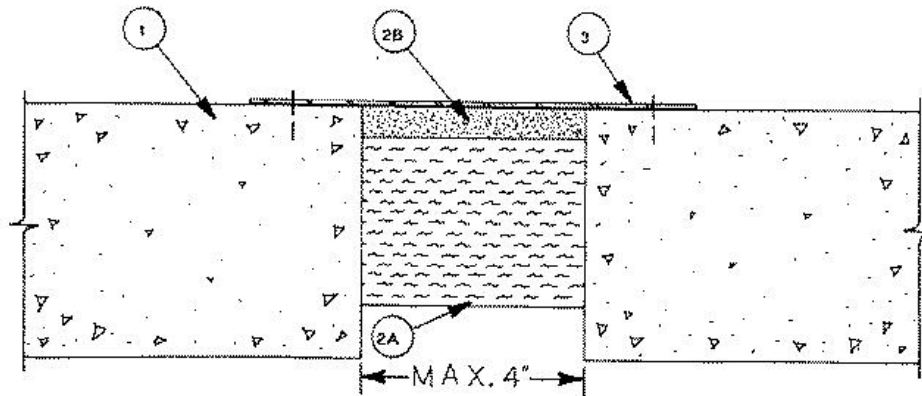


Assembly Rating — 3 Hr
Joint Width — 4 In. Max



1. **Floor Assembly** — Min 4-1/2 in. thick reinforced lightweight or normal weight (100-150 pcf) structural concrete.
2. **Joint System** — Max width or joint is 4 in. The joint system shall consist of the following:
 - A. **Packing Material** — Min 3 in. thickness of min 8 pcf mineral wool batt insulation firmly packed into opening as a permanent form. Packing material to be recessed from top surface of floor as required to accommodate the required thickness of fill material.
 - B. **Fill, Void or Cavity Material*** — Min 1/2 in. thickness of fill material applied within the joint, flush with top surface of floor.
RECTORSEAL — [Metacaulk 835+](#)
3. **Joint Cover** — Min 0.034 in. thick (No. 20 gauge) galv steel sheet centered over entire length of joint opening. Sheet to be min 4 in. wider than joint opening with each side edge lapping min 2 in. on the concrete slab. Adjoining lengths of joint cover to overlap min 2 in. Steel sheet secured to concrete slab on each side of joint opening with steel anchor bolts or equivalent, spaced max 12 in. OC. One side edge of joint cover to be securely fixed with opposite side provided with slotted holes to accommodate normal expansion and contraction.

*,+ Indicates such products shall bear the UL or cUL Certification Mark for jurisdictions employing the UL or cUL Certification (such as Canada), respectively.

Reprinted from the Online Certifications Directory with permission from UL. ©UL LLC