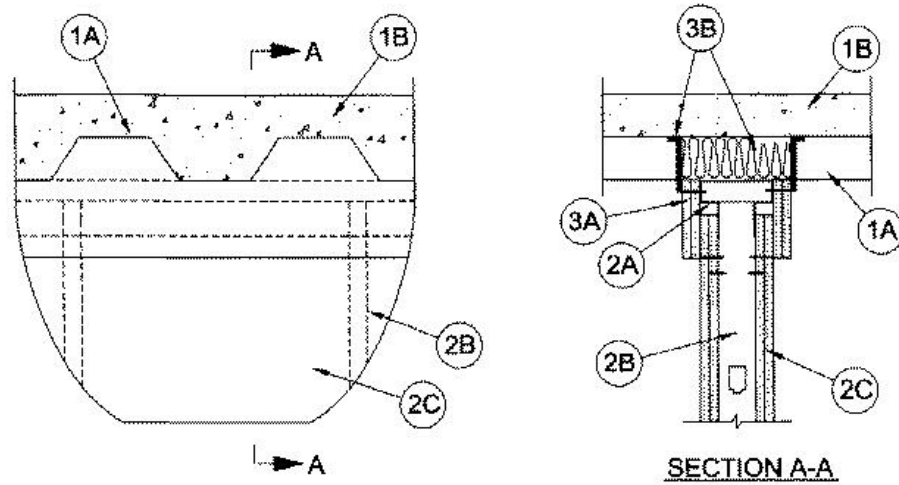
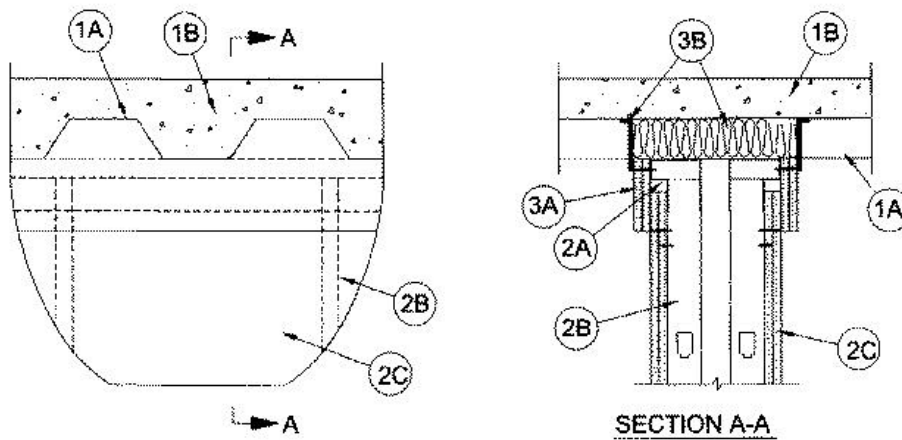


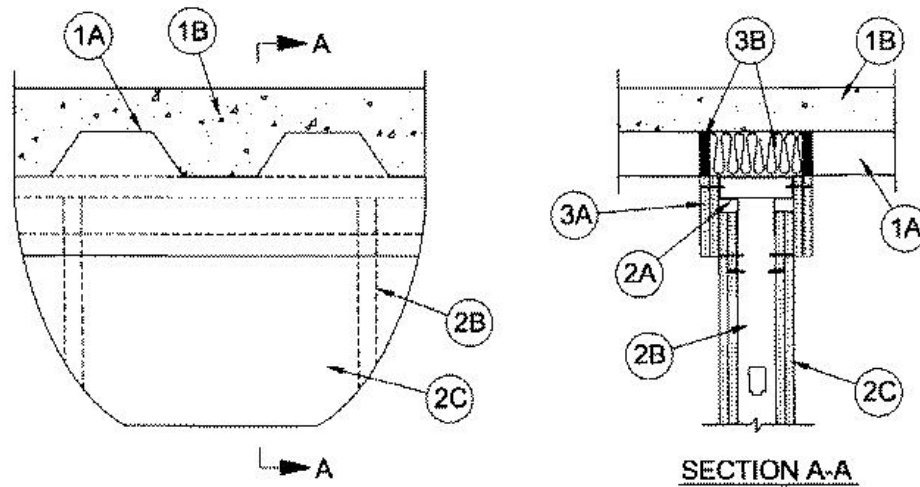
ANSI/UL2079	CAN/ULC S115
Assembly Ratings — 1, and 2 Hr (See Item 2)	F Ratings — 1 and 2 Hr (See Item 2)
Nominal Joint Width - 1 In.	FT Ratings — 1 and 2 Hr (See Item 2)
Class II or III Movement Capabilities — 100% Compression or Extension	FH Ratings — 1 and 2 Hr (See Item 2)
	FTH Ratings — 1 and 2 Hr (See Item 2)
	Nominal Joint Width - 25 mm
	Class II or III Movement Capabilities — 100% Compression or Extension



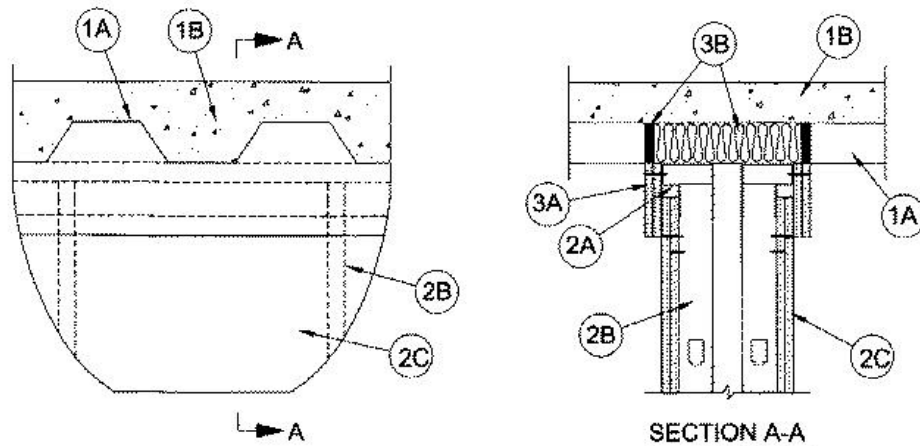
CONFIGURATION A



CONFIGURATION A1



CONFIGURATION B



CONFIGURATION B1

1. Floor Assembly — The fire-rated fluted steel deck/concrete floor assembly shall be constructed of the materials and in the manner described in the individual Floor-Ceiling Design in the UL Fire Resistance Directory. The hourly fire rating of the floor assembly shall be equal to or greater than the hourly fire rating of the wall assembly. The floor assembly shall include the following construction features:

A. Steel Floor and Form Units* — Max 3 in. (76 mm) deep galv fluted floor units.

B. Concrete — Min 2-1/2 in. (64 mm) thick reinforced lightweight or normal weight (100-150 pcf or 1600-2400 kg/m³) concrete, as measured from the top plane of the floor units.

1A. Roof Assembly — As an alternate to Item 1, the fire-rated roof assembly shall be constructed of the materials and in the manner described in the individual P900 Series Roof-Ceiling Designs in the UL Fire Resistance Directory and shall contain max 3 in. (76 mm) deep galv steel fluted roof units. The hourly fire rating of the roof assembly shall be equal to or greater than the hourly fire rating of the wall assembly. In the case of spray-applied protection materials on the steel roof units, the joint system shall be installed prior to the spray-applied protection material.

1B. Floor Assembly — As an alternate to Item 1, min 4-1/2 in. (114 mm) thick reinforced lightweight or normal weight (100-150

pcf or 1600-2400 kg/m³) structural concrete.

2. Wall Assembly — The 1 or 2 hr fire-rated gypsum board /steel stud wall assembly shall be constructed of the materials and in the manner described in the individual U400 and V400-Series Wall and Partition Design in the UL Fire Resistance Directory and shall include the following construction features:

A. Light Gauge Framing* — Deflection Track — Deflection track of wall assembly shall consist of min No. 25 gauge galv steel channels sized to accommodate steel studs (Item 2C) and with offset legs to accommodate wall cladding (Item 3A). Deflection track installed perpendicular to floor units. Min No. 25 gauge deflection track secured on both sides to valley of floor units with 1-1/2 in. (38 mm) long welds spaced max 12 in. (305 mm) OC. Min No. 20 gauge deflection track may be secured with steel fasteners spaced 12 in. (305 mm) OC.

FIRE TRAK CORP — Shadowline and Cavity Shadowline

B. Studs — Steel studs to be min 2-1/2 in. (64 mm) wide and as specified in the individual Wall and Partition Design in the UL Fire Resistance Directory. Studs cut 1-1/2 in. (38 mm) less in length than the assembly height with bottom nesting in and resting on floor runner and with top nesting in ceiling runner without attachment. Stud spacing not to exceed 24 in. (610 mm) OC.

C. Gypsum Board* — Gypsum board sheets installed and attached to studs and runners as specified in the individual Wall and Partition Design in the UL Fire Resistance Directory, except that a nominal 1 in. (25 mm) gap shall be maintained between top of the gypsum board and the bottom flange of the deflection track. Top row of screws shall be installed into the studs 3 in. (76 mm) below the top edge of the gypsum board sheets.

D. Bracing — (Not shown) — Bracing as specified in the individual Wall and Partition Design in the UL Fire Resistance Directory.

The hourly assembly rating of the joint system is equal to the fire rating of the wall.

Firestop Configuration A and A1

3. Joint System — Max separation between bottom flange of the deflection track and top of gypsum board (at the time of installation of the joint system) is 1 in. (25 mm). The joint system is designed to accommodate a max 100 percent compression or extension from its installed width. The joint system consists of wall cladding, packing material and a fill material as follows:

A. Wall Cladding — Strips of the gypsum board material attached to the deflection track. The number of layers, board type and thickness and fastener type shall be as specified for the gypsum board in the individual Wall and Partition Design in the UL Fire Resistance Directory. Fasteners shall be max spaced 3 in. (76 mm) OC. The top of the wall cladding shall be flush with the valleys of the steel floor units and overlap the gypsum board 4 in. (102 mm).

B. Flute Fill — The batt insulation and fill material are to be installed as specified in the Joint Systems in the table below:

Manufacturer	Product Designation	System No.
3M Company	FireDam Spray 200	HW-D-0020
3M Company	3M Fire and Water Barrier Tape	HW-D-0020
A/D Fire Protection Systems Inc.	A/D FireBarrier Seal N/S	HW-D-0247
Passive Fire Protection Partners	5100SP	HW-D-0025
Grabber Construction Products Inc.	GrabberGard EFS	HW-D-0357
Hilti Construction Chemicals	CP 672 Fire Spray or CFS-SP WB Firestop Joint Spray	HW-D-0042
Rectorseal	Biostop 700	HW-D-0019
Rectorseal	Biostop 750 Spray, Biostop 750 Caulk Grade	HW-D-0033 or HW-D-0059
Rectorseal	Metacaulk 1100	HW-D-0018
Rectorseal	Metacaulk 1200 Spray, Metacaulk 1200 Caulk Grade	HW-D-0032 or HW-D-0058

Specified Technologies Inc.	SpecSeal AS 200 Spray	HW-D-0054
Tremco	TREMstop Acrylic SP	HW-D-0091
Rectorseal	FS3000, Metacaulk 1500 or Biostop 800	HW-D-0108

3M COMPANY — Fire Dam Spray 200, 3M Fire and Water Barrier Tape

A/D FIRE PROTECTION SYSTEMS INC — A/D FireBarrier Seal N/S

GRABBER CONSTRUCTION PRODUCTS INC — GrabberGard EFS

PASSIVE FIRE PROTECTION PARTNERS — 5100SP

HILTI CONSTRUCTION CHEMICALS, DIV OF HILTI INC — CP 672 Fire Spray or CFS-SP WB Firestop Joint Spray

RECTORSEAL — Metacaulk 1100, [Metacaulk 1200](#) Spray, [Metacaulk 1200 Caulk Grade](#), Biostop 700, Biostop 750 Spray, Biostop 750 Caulk Grade, FlameSafe FS3000, [Metacaulk 1200, 1500](#) or Biostop 750, 800 Spray

SPECIFIED TECHNOLOGIES INC — SpecSeal AS 200 Spray

TREMCO INC — TREMstop Acrylic SP

Firestop Configuration B and B1

3. Joint System- — Max separation between bottom flange of the deflection track and top of wallboard (at the time of installation of the joint system) is 1 in. (25 mm). The joint system is designed to accommodate a max 100 percent compression or extension from its installed width. The joint system consists of wall cladding, packing material and a fill material as follows:

A. Wall Cladding — Strips of the gypsum board material attached to the deflection track. The number of layers, board type and thickness and fastener type shall be as specified for the gypsum wallboard in the individual Wall and Partition Design in the UL Fire Resistance Directory. Fasteners shall be max spaced 3 in. (76 mm) OC. The top of the wall cladding shall be flush with the valleys of the steel floor units and overlap the gypsum board 4 in. (102 mm).

B. Flute Fill — The batt insulation and fill material are to be installed as specified in the systems in the table below:

Manufacturer	Product Designation	System No.
3M Company	FB 1000NS	HW-S-0028
3M Company	FB 2000	HW-S-0002
3M Company	FB 2000+	HW-S-0002
A/D Fire Protection Systems Inc.	A/D FireBarrier Seal N/S	HW-D-0247
Hilti Construction Chemicals	FS611A	HW-D-0003
Hilti Construction Chemicals	FS-ONE	HW-D-0003
Hilti Construction Chemicals	CP601S or CFS-S SIL GG	HW-D-0046
Hilti Construction Chemicals	CP606	HW-D-0045
Instant Firestop Mfg.	344-GG	HW-S-0008
Nuco Inc.	Self Seal GG200	HW-S-0011
Rectorseal	Metacaulk 835+	HW-S-0023
Rectorseal	Metacaulk 1000	HW-D-0014

Rectorseal	Biostop 500+	HW-D-0015
Rectorseal	Biotherm 1000	HW-S-0022
Specified Technologies Inc.	SpecSeal ES	HW-D-0034
United States Gypsum Co.	RFC	HW-S-0001

3M COMPANY — FB 1000NS, FB 2000, FB 2000+

A/D FIRE PROTECTION SYSTEMS INC — A/D FireBarrier Seal N/S

HILTI CONSTRUCTION CHEMICALS, DIV OF HILTI INC — CP601S, CFS-S SIL GG, CP606, FS611A, FS-ONE Sealant or FS-ONE MAX Intumescent Sealant

NUCO INC — Self Seal GG-200

RECTORSEAL — [Metacaulk 835+](#), [Metacaulk 1000](#), Biostop 500+ Caulk, Biotherm 100

SPECIFIED TECHNOLOGIES INC — SpecSeal ES Sealant

UNITED STATES GYPSUM CO — RFC

Last Updated on 2021-08-18