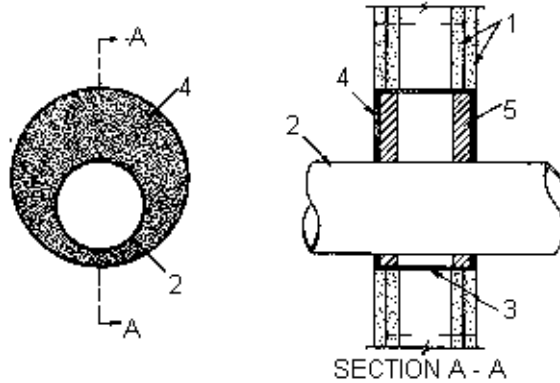


DESIGN NO. TRC/PV 120-09
VERTICAL (WALL), F RATING - 2 HRS, T RATING - 15 MINUTES;
ANNULAR SPACING - 3/4" TO 3-1/2"
TEST PRESSURE DIFFERENTIAL - 2.5 Pa (0.01" OF WATER) MINIMUM



1. Wall: Nominal 5" thick steel or wood stud fire rated gypsum drywall partitions; concrete block or concrete with an 11-1/2" diameter opening.
2. Penetrations: 1) 4" I.D. Steel Pipes - Schedule 5S.
3. Forming Materials: Materials are used as a form and seal to prevent leakage of the sealant during construction:
 - a) 0.012" diameter galvanized steel wire mesh 1/8" on center both directions.
4. Caulking Compound or Filler Material: Minimum thickness 1/4" Metalines, Inc. Metacaulk* 950 each side of partition.
5. Insulation: Foam Backing Material.

*Component bearing the Warnock Hersey Certification Mark